

— WE CREATE MOBILE WORKPLACES —

# Assembly Instructions



SYSTEM   
EDSTRÖM



**CREATES MOBILE  
WORKPLACES**

For more information: [www.systemedstrom.com](http://www.systemedstrom.com)



**SAFETY**



**WARRANTY**



**QUALITY**



**ACCREDITED**



**SINCE 1958**



**SIMPLE**



**BESPOKE**



**CONFIGURE**

# Before you start!

Please note that this is a general assembly instruction!

[Read this manual thoroughly!](#)

## **Things to consider before you start installing:**

- Pre-assemble as much as possible outside the van, making sure that the assembled unit goes through the doorway.
- Make sure that the speed of the screwdriver is not too high (500 – 900 rpm is the optimal speed) when installing the self-tapping screws in the shelf frame.
- Find out where there are metal beams to attach the racking, such as the standing beams at the B, C or D-pillar and cross beams above and below window height. In cases where a beam is missing, it is up to the installer to organise fastening points to secure the racking. This can be done, for example, by using fixing rails or customised fittings/brackets.
- Check where the fuel tank, spare wheel, fuel lines, cable trunks, etc. are located so that you do not drill into or in any other way damage these parts.
- Keep in mind that electric and plug-in hybrid vans have greater restrictions on drilling. Information regarding these restrictions can be found on the respective car manufacturer's bodywork portal.
- It is better to use a few too many screws than one too few!
- Where possible, the use of a locknut is mandatory.
- Remember to use corrosion protection when drilling holes in body and floor.
- Check with local authorities if inspection is required after installation.
- Unless otherwise stated 5600 (M6x10) and 5640 (M6) are the screws and nuts to be used.

### Torque

M6 - 10 Nm

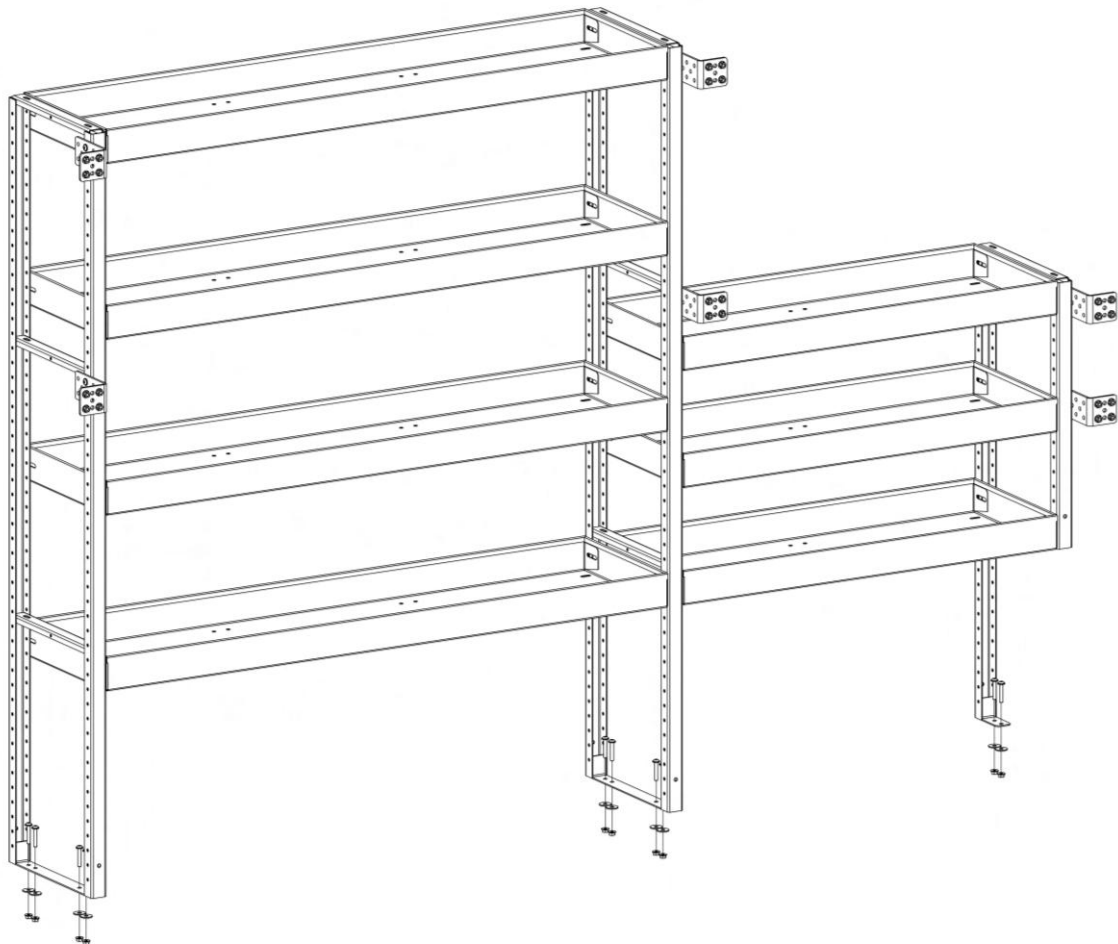
M8 - 20 Nm

Below are System Edström's minimum requirements for how shelf frames and cassettes should be attached to the body and floor of the vehicle. It is the installer's responsibility to follow these recommendations. There are several different ways to attach the racking to the wall, the fasteners are prioritised according to the following order:

1. Screw, washer and nut
2. 6.4mm steel rivet
3. Airline fixing

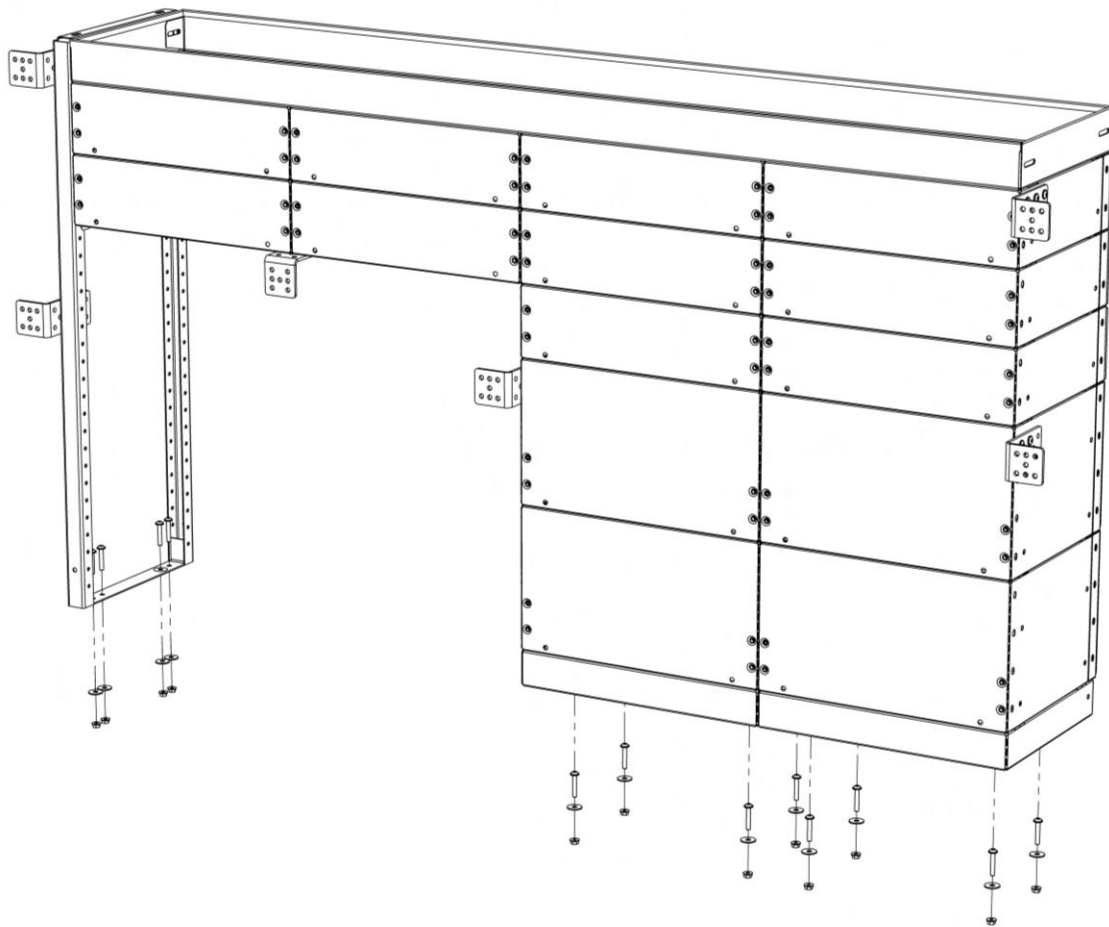
### **Shelf Frames:**

- Each shelf frame shall be fixed with angle brackets. The angle brackets are preferably mounted in front of the shelf frame (in the direction of travel). Shelf frames that are 890mm or higher require at least two angle brackets mounted to the van. These should be placed high up on the shelf frames to make the racking as stable as possible.
- Shelf frames should be fixed with at least 4 fixing points to the floor except where a single leg shelf frame is used, in which case two fixing points are required.



## Cassettes:

- Cassettes/Support Plinths fixed to the floor require a minimum of 4 fixing points each.
- If a cassette is attached to a shelf frame at least 2 screws and nuts should be used, even if a cassette is mounted with its back to a shelf frame.
- Cassette stacks higher than 505 mm require at least two angle brackets which should be placed high up.
- Adjacent cassette stacks require at least one bracket per cassette stack (column wise). In cases where fixing an angle bracket to an intermediate cassette stack is inaccessible, these angle brackets are added to the outer stacks.
- Free-hanging cassettes can be reinforced with L-type supports rails underneath the cassettes, preferably with a shelf frame on each side.

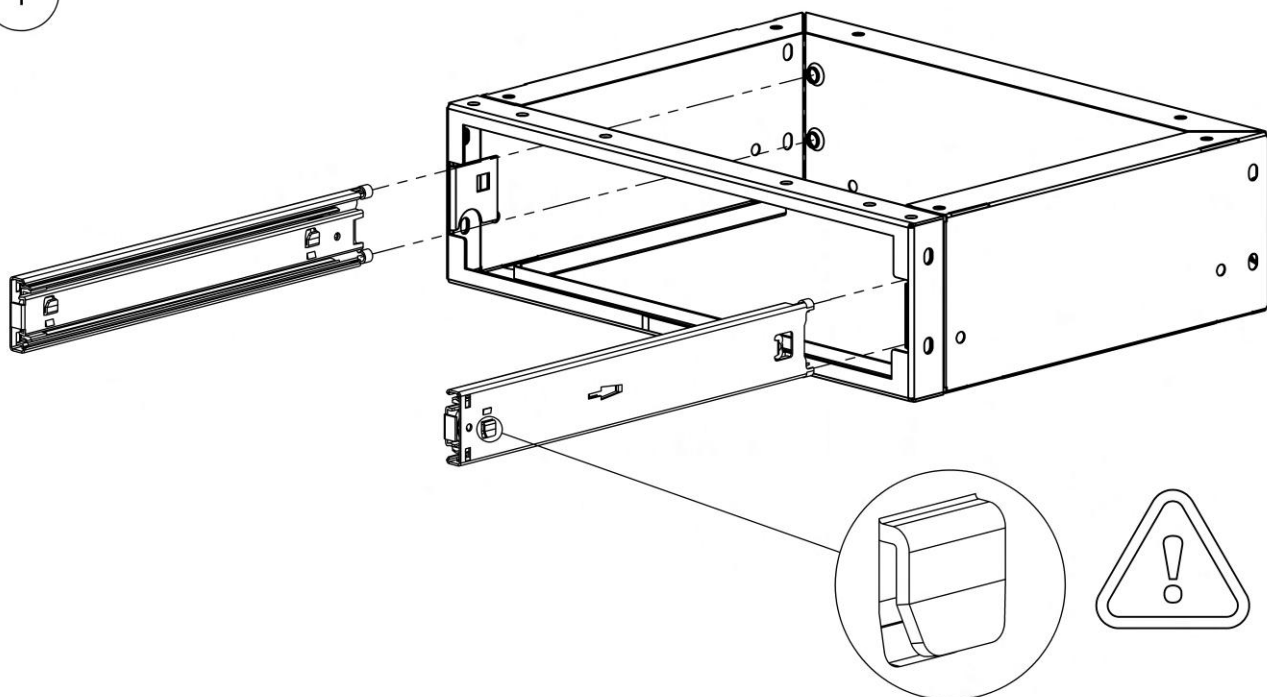


## Contents

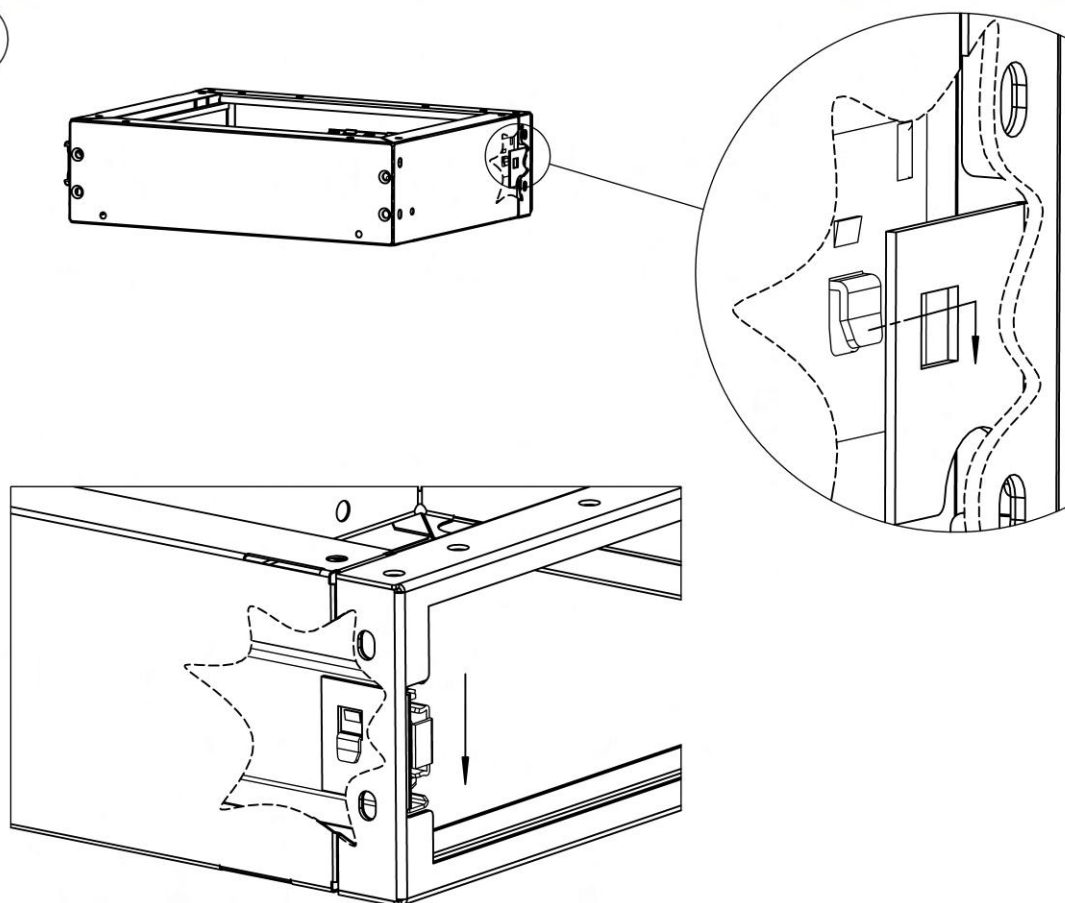
Drawers .....	1
Installation of Extension Slides .....	1
Installation of Drawers .....	3
Drawer to Drawer .....	4
Drawer to Shelf Frame .....	5
Support Rail under Drawers .....	6
Pegboards .....	7
Plain Sheet Pegboard to Shelf Frame .....	7
Flanged Pegboard to Drawer .....	8
Shelves .....	9
Installation of Shelves .....	9
Shelf to Drawer .....	10
Adjustable Shelves with Flipfront .....	11
Ball Bearing Kit for Shelves.....	12
Dropfronts .....	16
Dropfront .....	16
Dropfront Brackets.....	17
Flexi System.....	18
Extended Drawers and False Floors .....	21
Internal Ladder Holder.....	28
Work Bench .....	31
Case Support.....	32
Vice Holders.....	33
Foldable Vice Holder/Bench to Floor .....	33
Foldable Vice Holder/Bench to Shelf Frame .....	34
Extendable Vice Holder/Bench.....	35
Vice Holder 5012 & 5013 .....	39
Sliding Platform.....	40
Sliding Platform 300-Chassis .....	40
Frame for Sliding Platform .....	47
Airline Track for Sliding Platform.....	49
Frame and Airline Track for Sliding Platform .....	51
Support Rail on Floor .....	54
Airline-rails .....	55
Multi Purpose Bracket .....	57
ECO .....	59

# INSTALLATION OF EXTENSION SLIDES

1



2

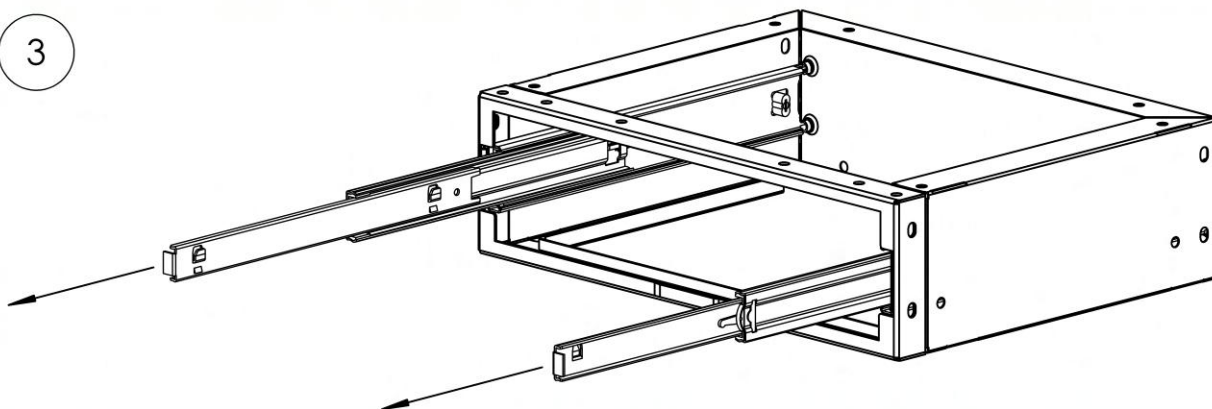


**SYSTEM**   
**EDSTRÖM**

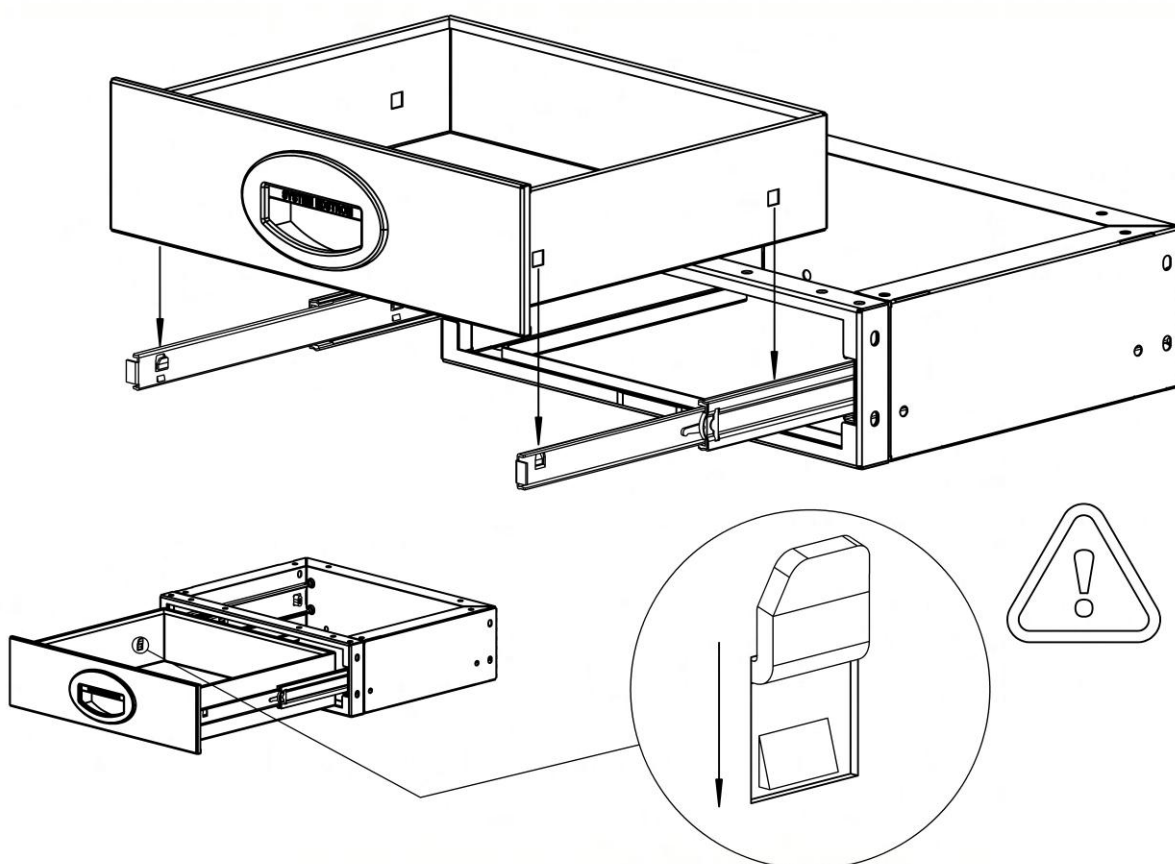


## INSTALLATION OF EXTENSION SLIDES

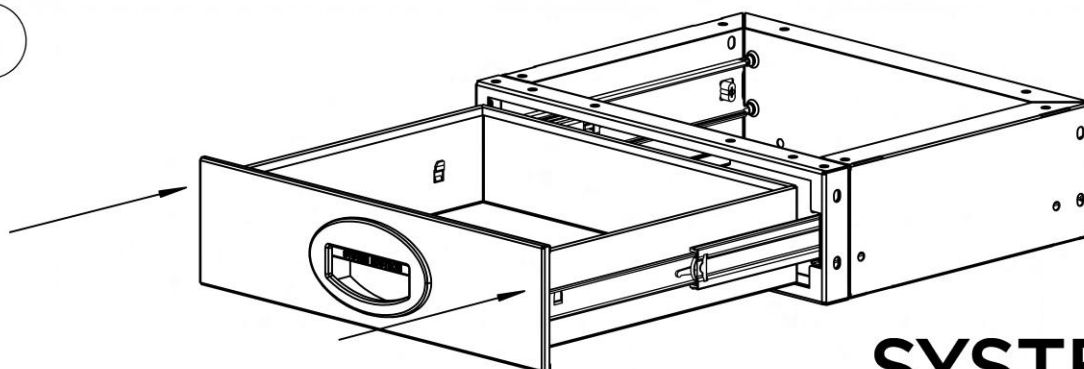
3



4

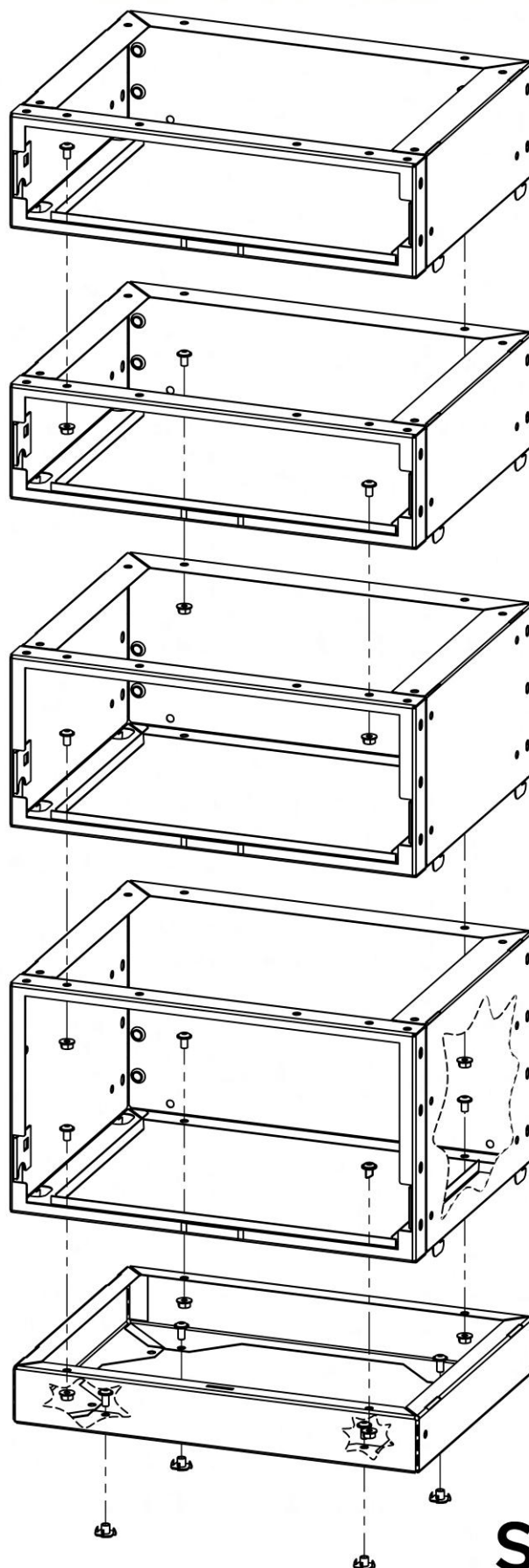


5



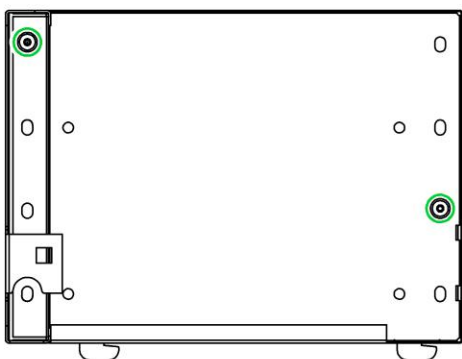
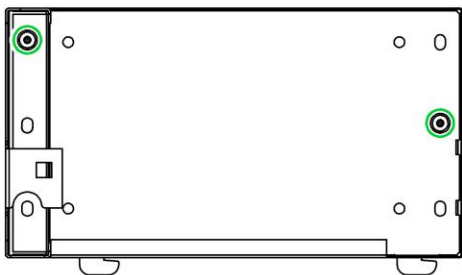
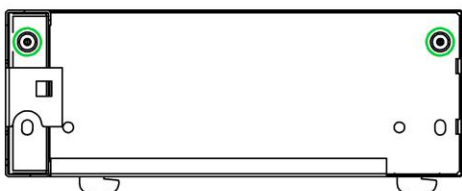
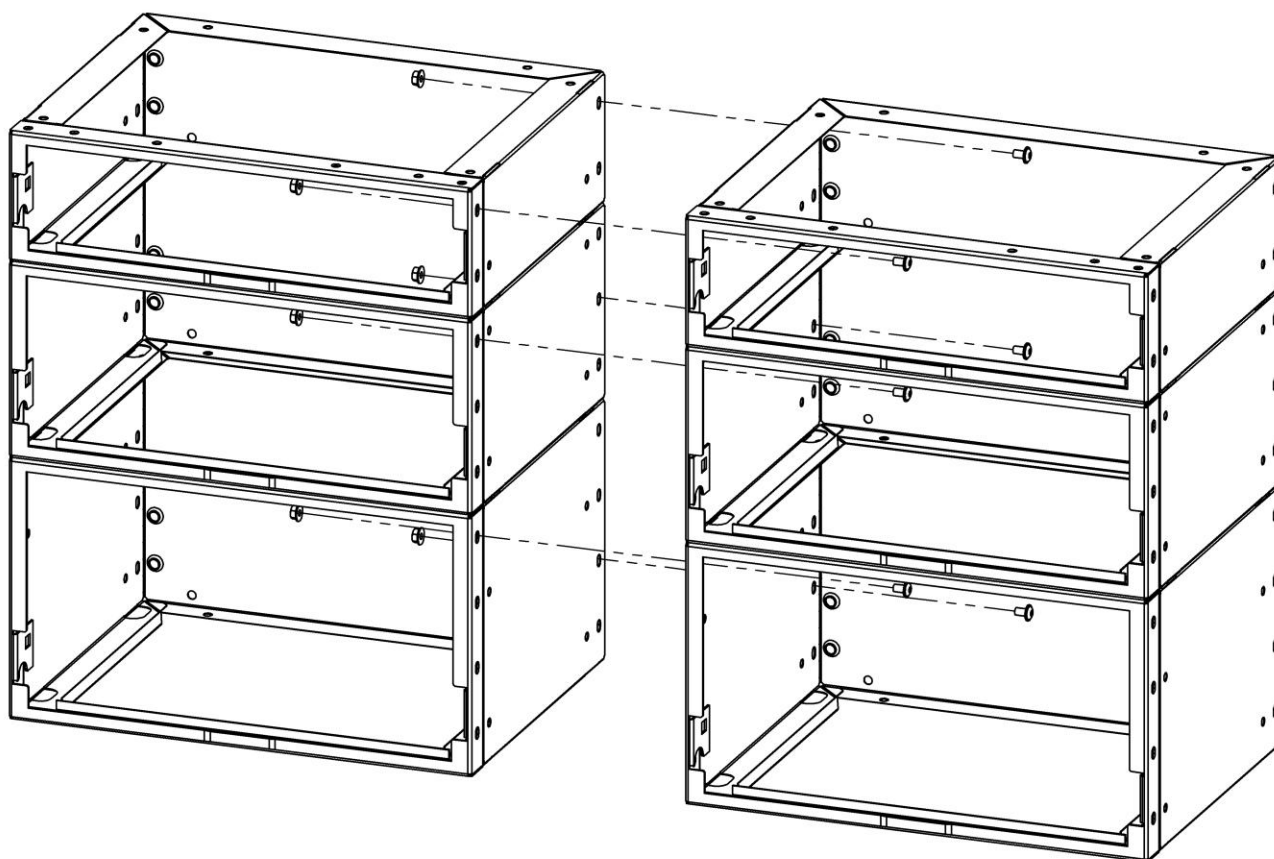
**SYSTEM**   
**EDSTRÖM**

## INSTALLATION OF DRAWERS



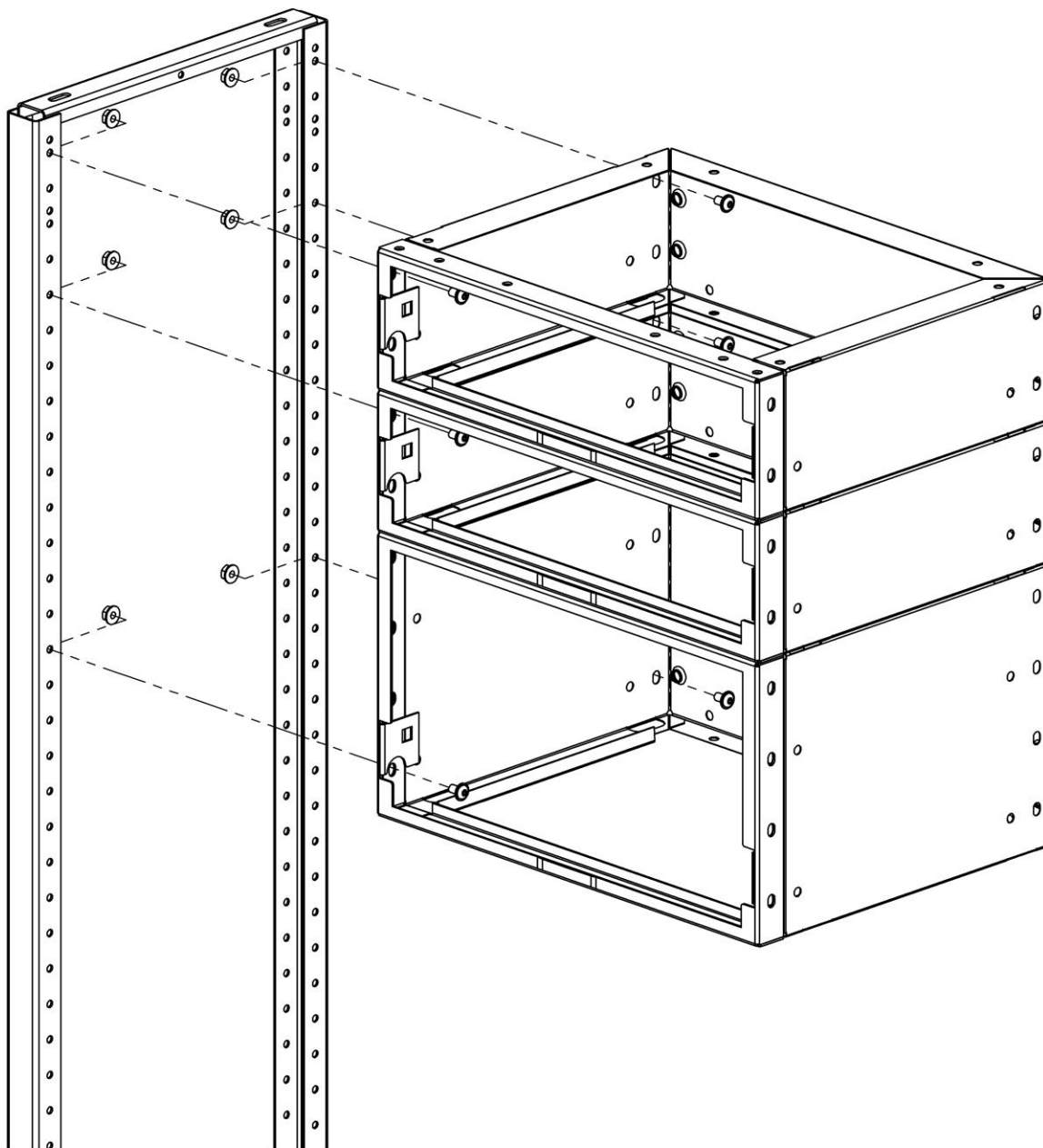
**SYSTEM**   
**EDSTRÖM**

## DRAWER TO DRAWER



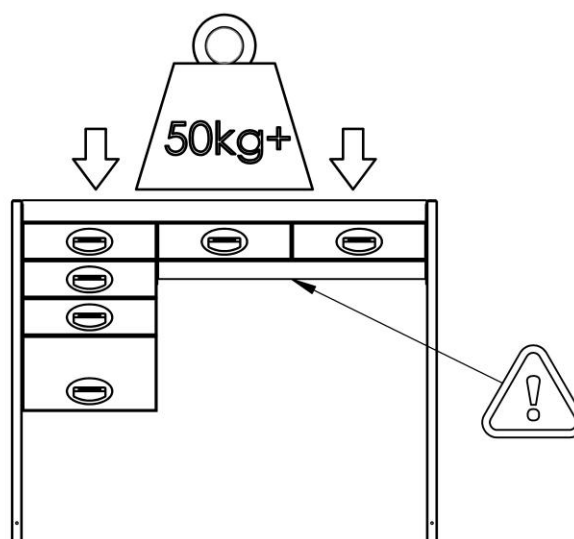
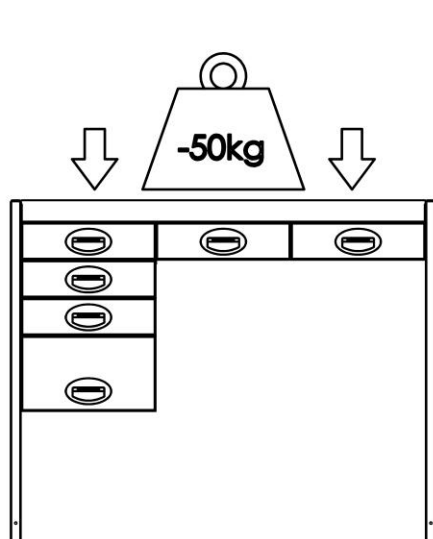
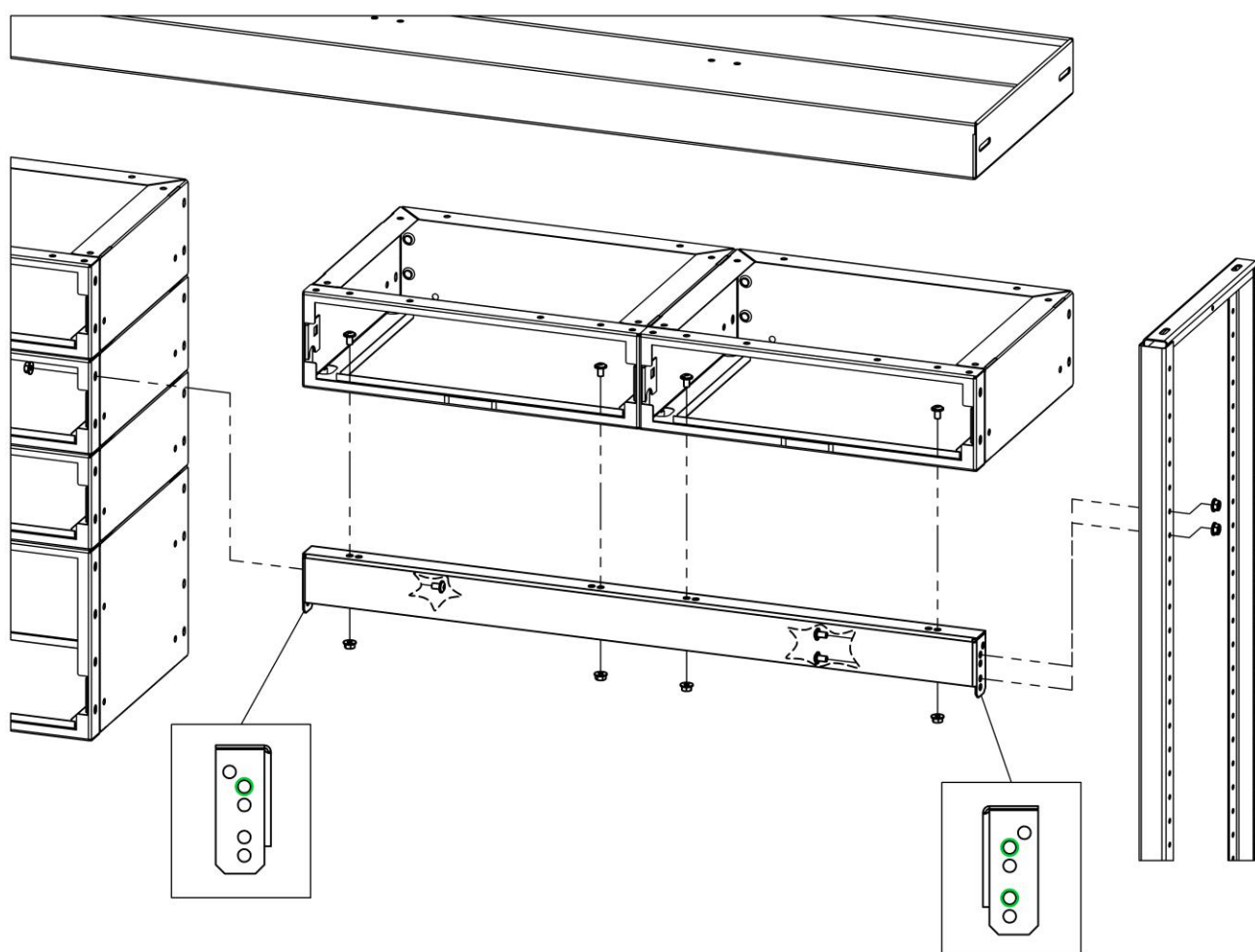
**SYSTEM**   
**EDSTRÖM**

## DRAWER TO SHELF FRAME



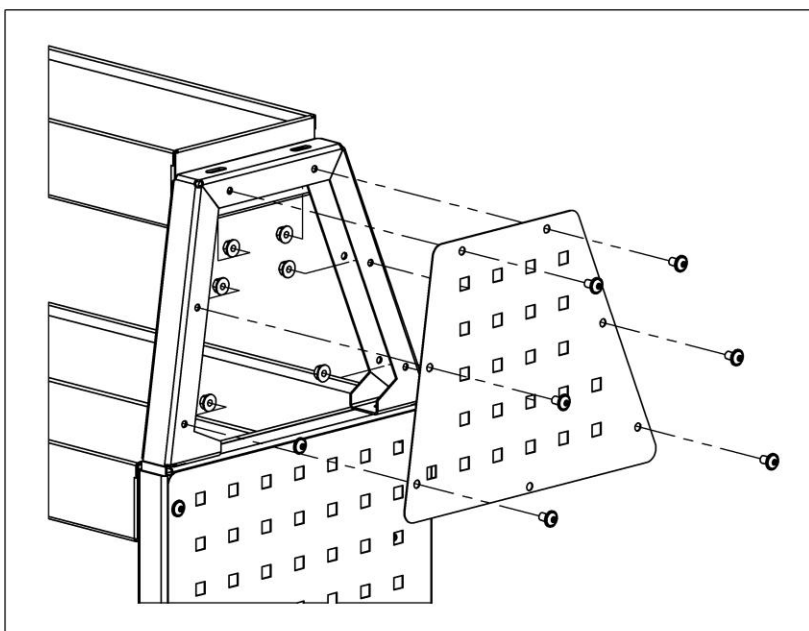
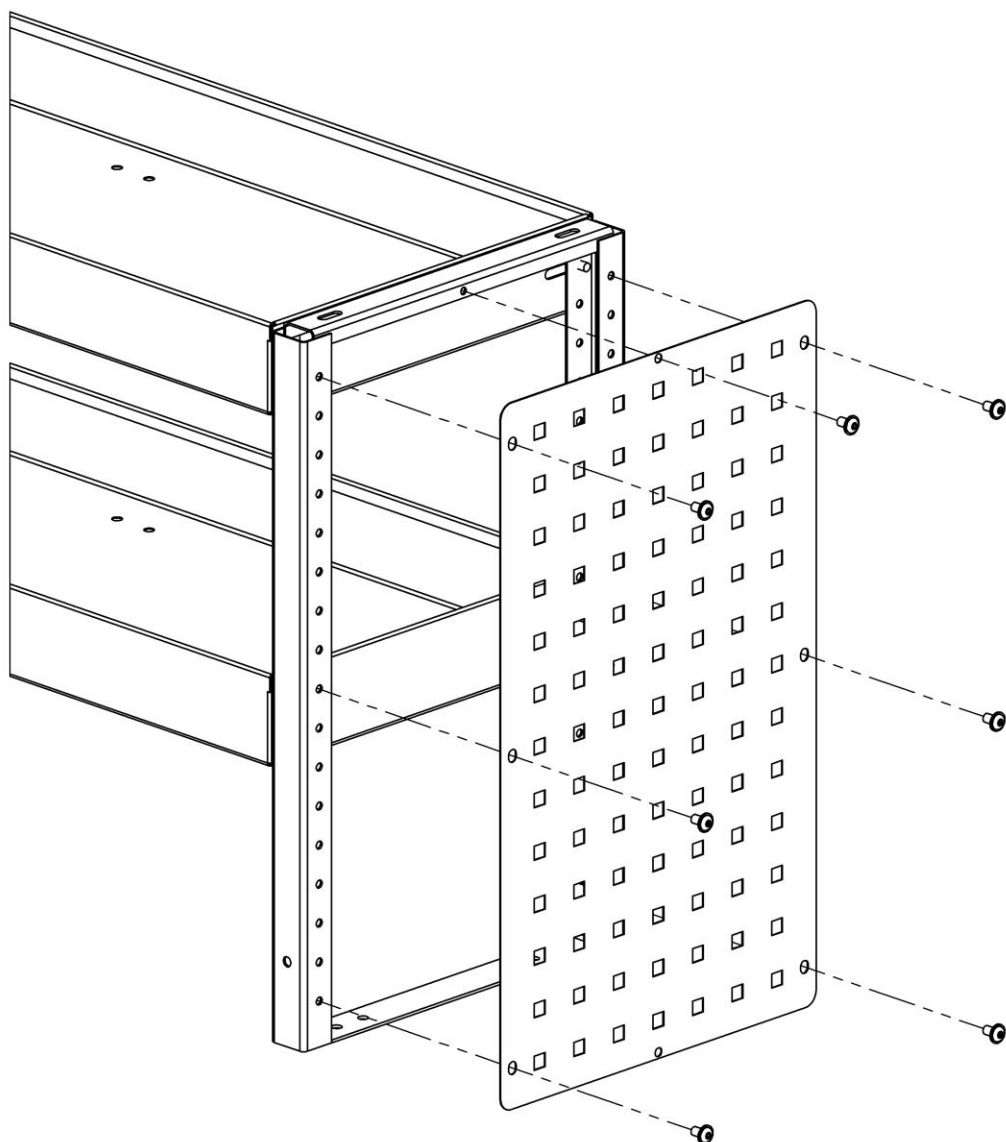
**SYSTEM**   
**EDSTRÖM**

## SUPPORT RAIL UNDER DRAWERS



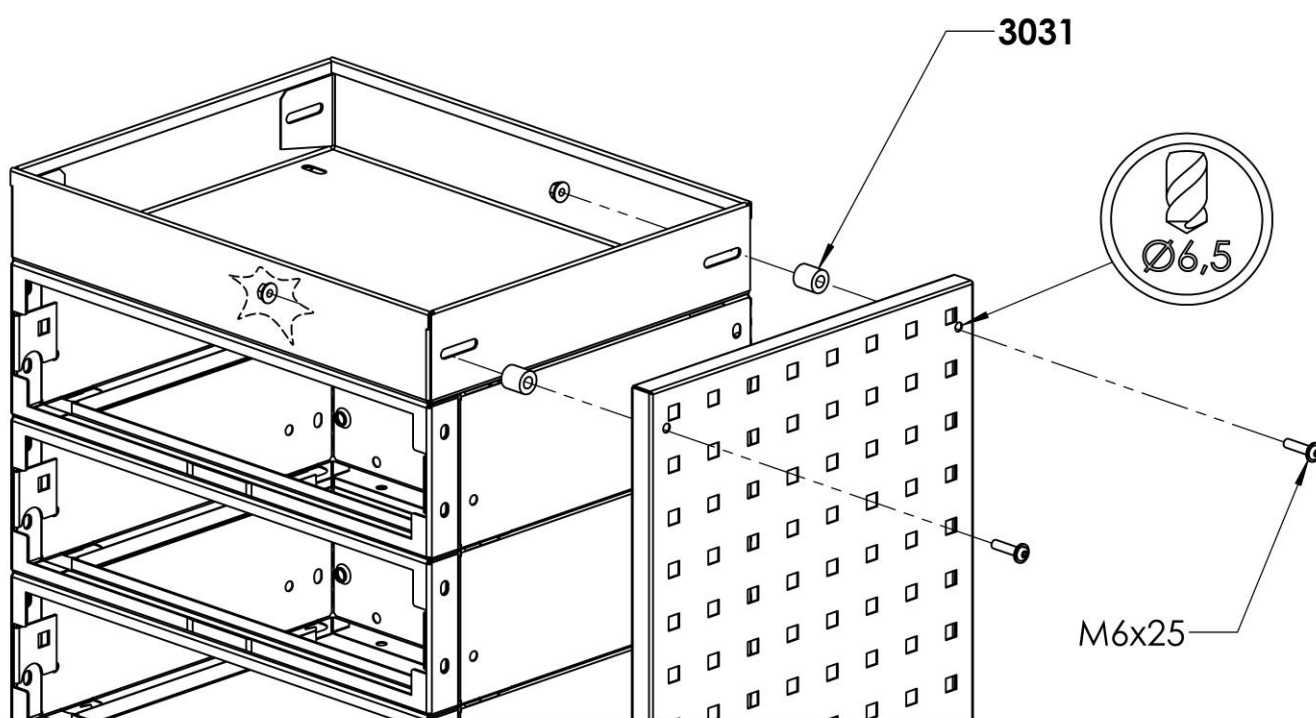
**SYSTEM**   
**EDSTRÖM**

## PLAIN SHEET PEGBOARD TO SHELF FRAME



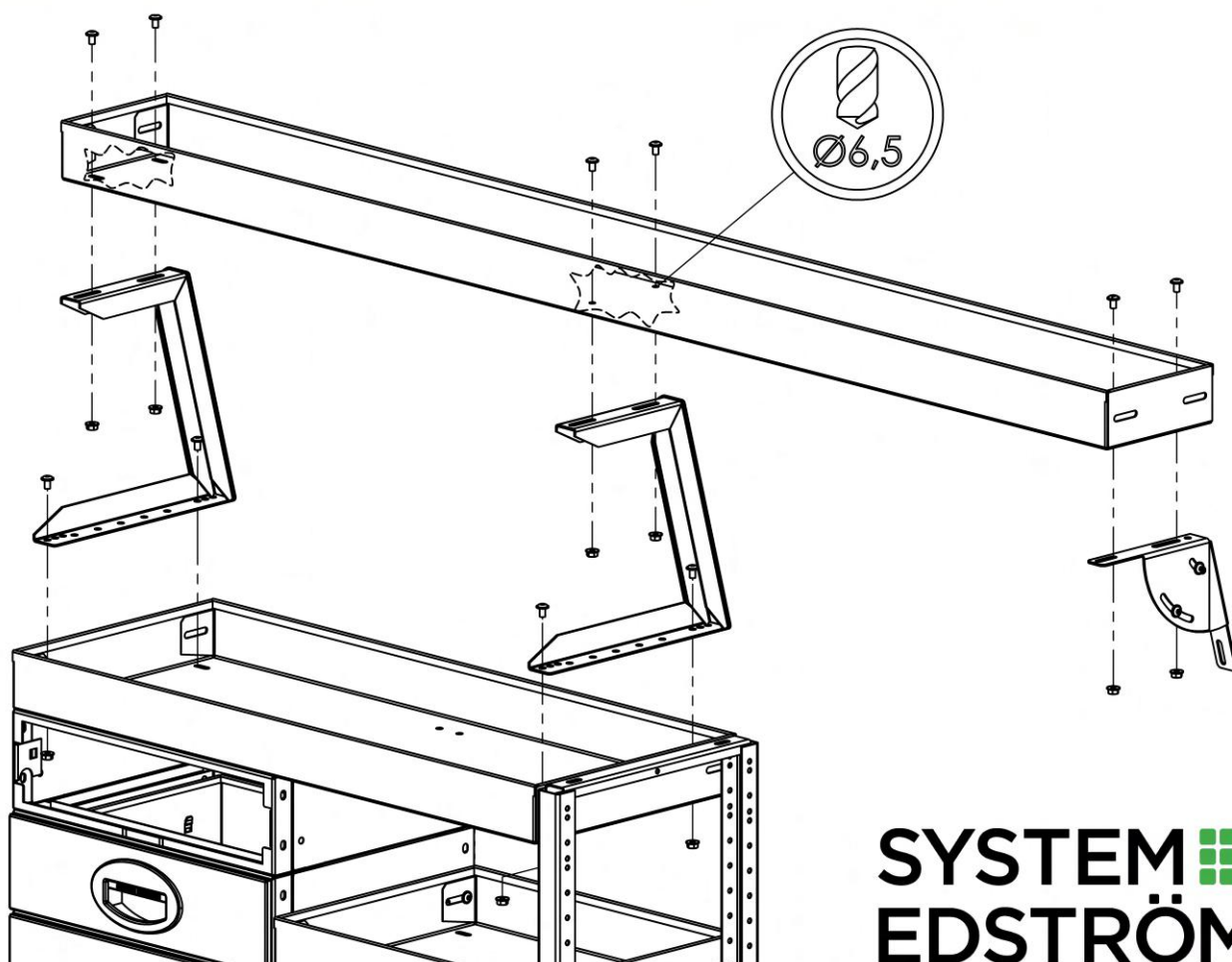
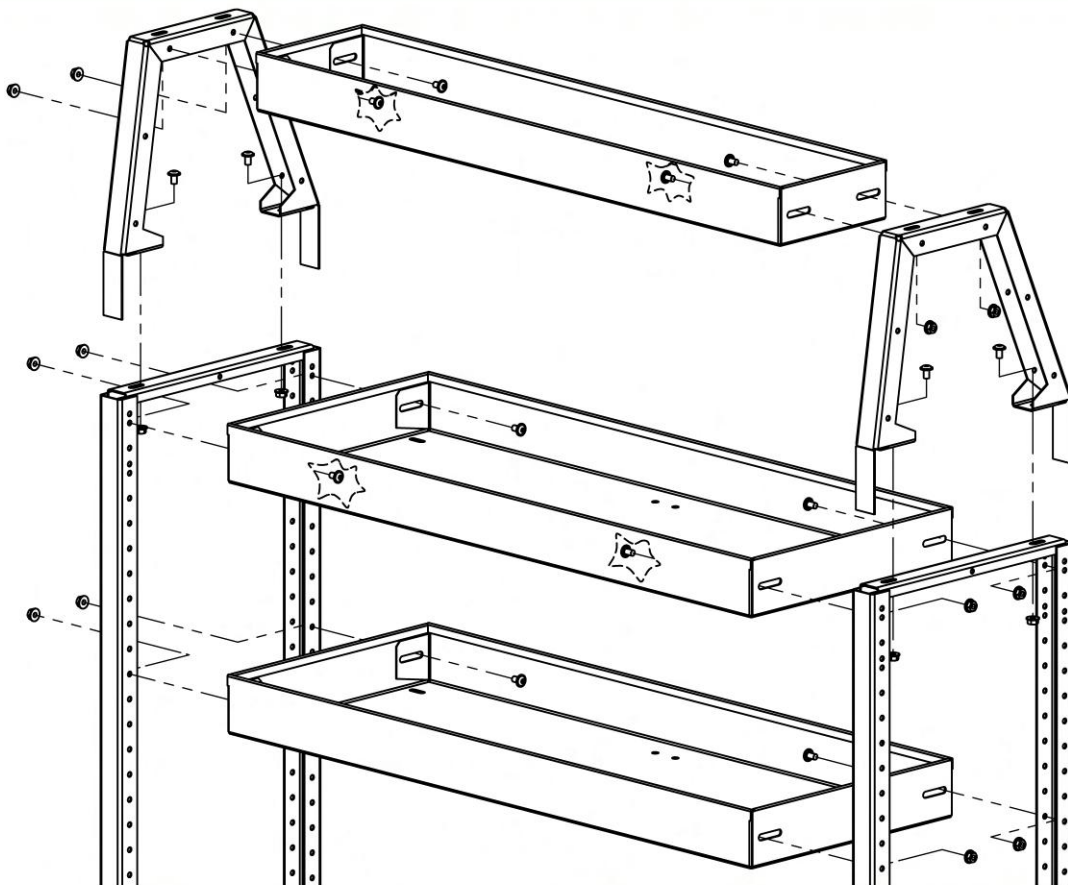
**SYSTEM**   
**EDSTRÖM**

## PEGBOARD TO DRAWER



**SYSTEM**   
**EDSTRÖM**

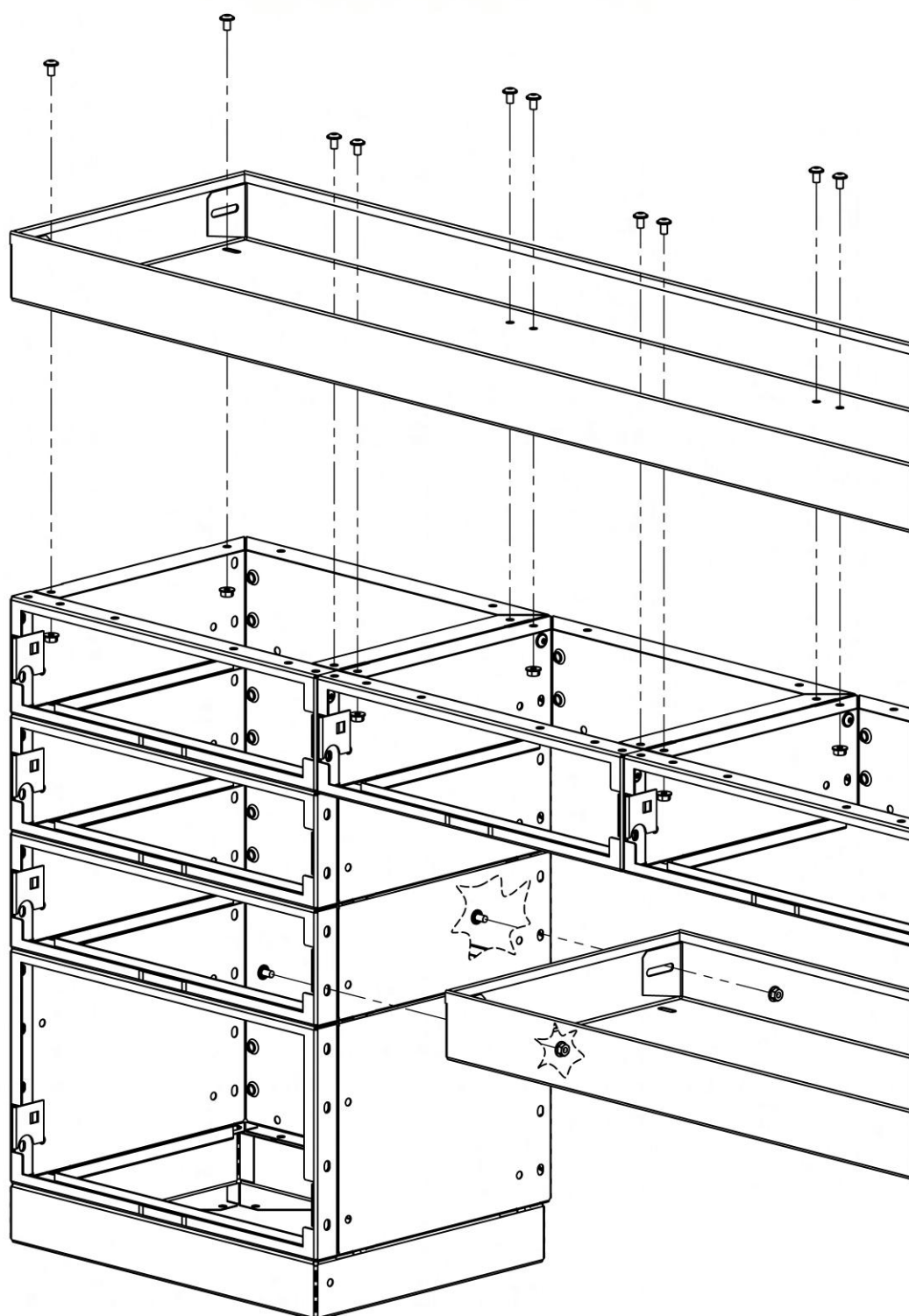
## INSTALLATION OF SHELVES



**SYSTEM**   
**EDSTRÖM**



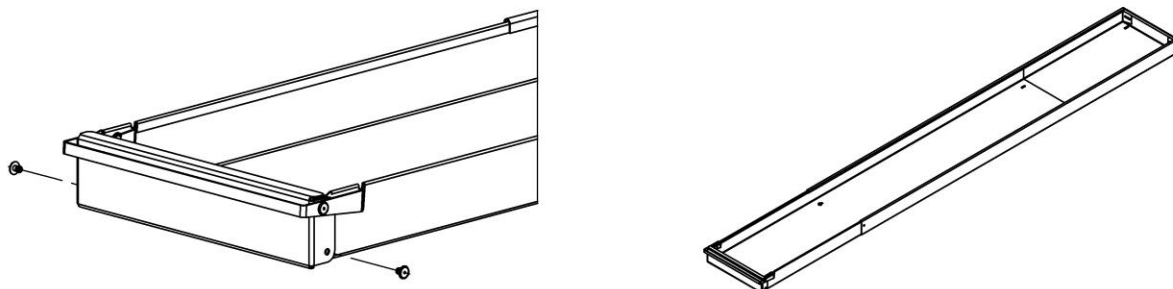
## SHELF TO DRAWER



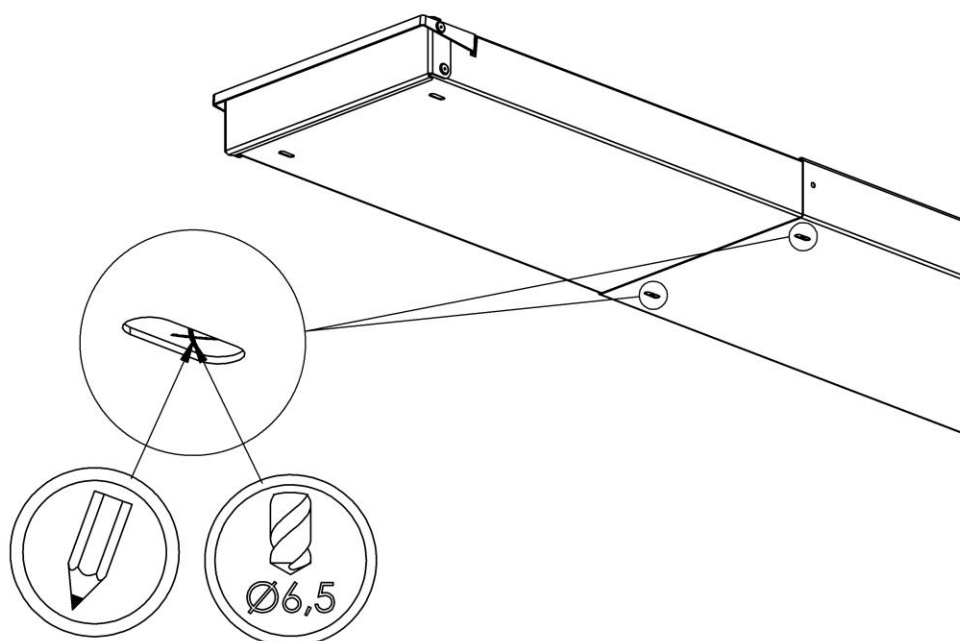
**SYSTEM**   
**EDSTRÖM**

## 1813, 1815-ADJUSTABLE SHELVES WITH FLIPFRONT

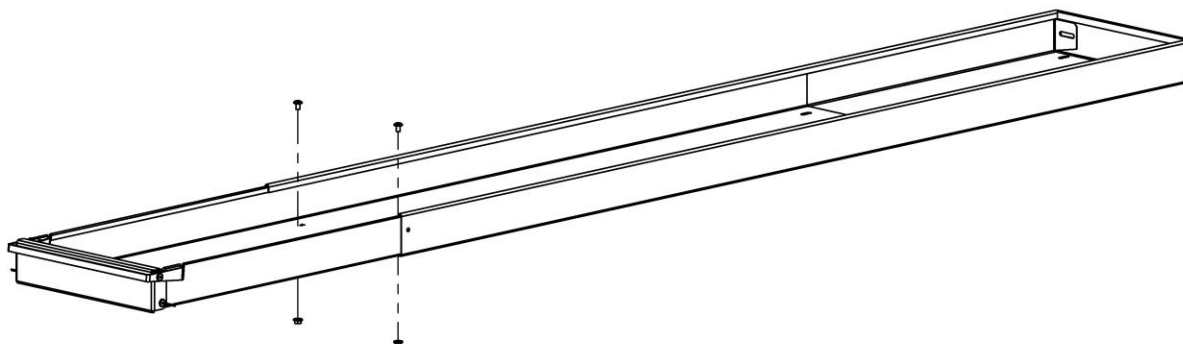
1



2

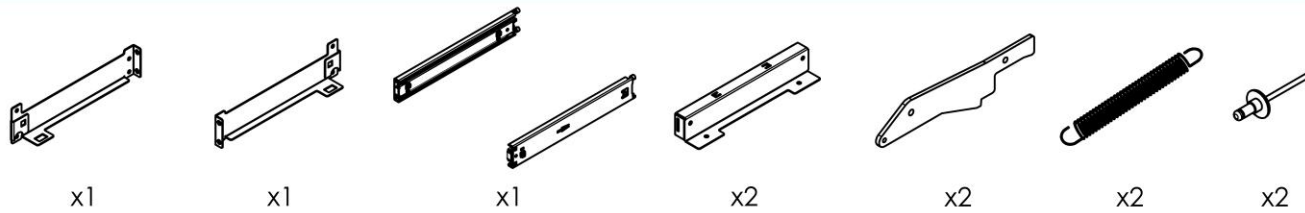


3

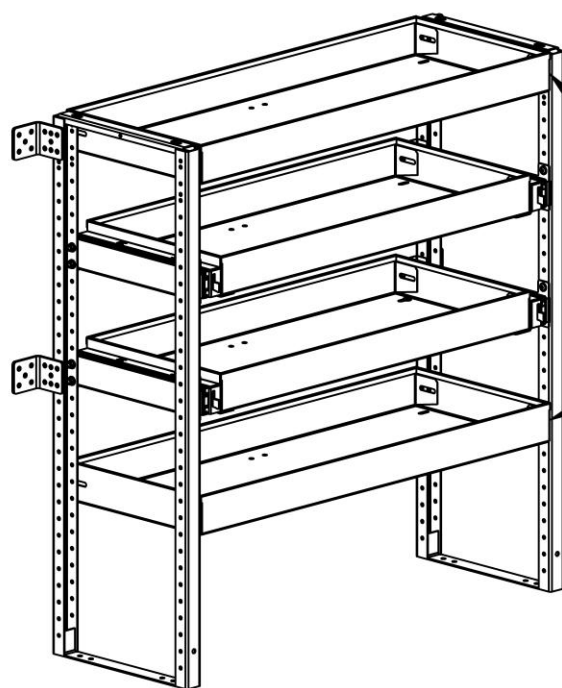


**SYSTEM**   
**EDSTRÖM**

# BALL BEARING KIT FOR SHELVES

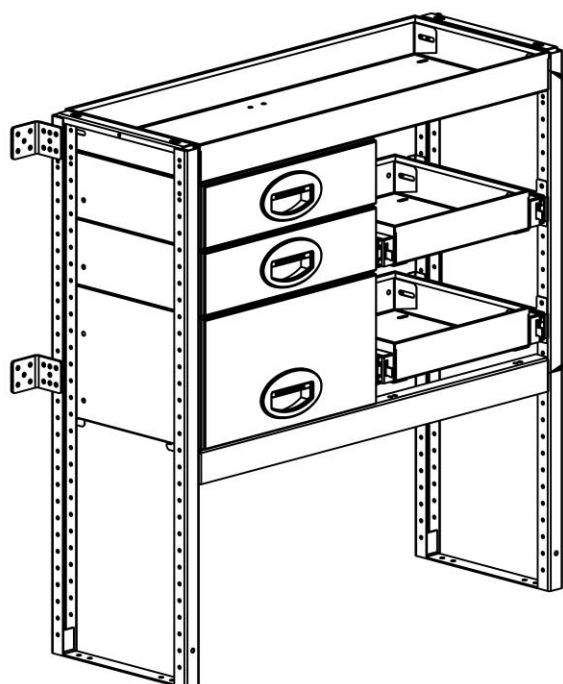


A



Min. 2

B



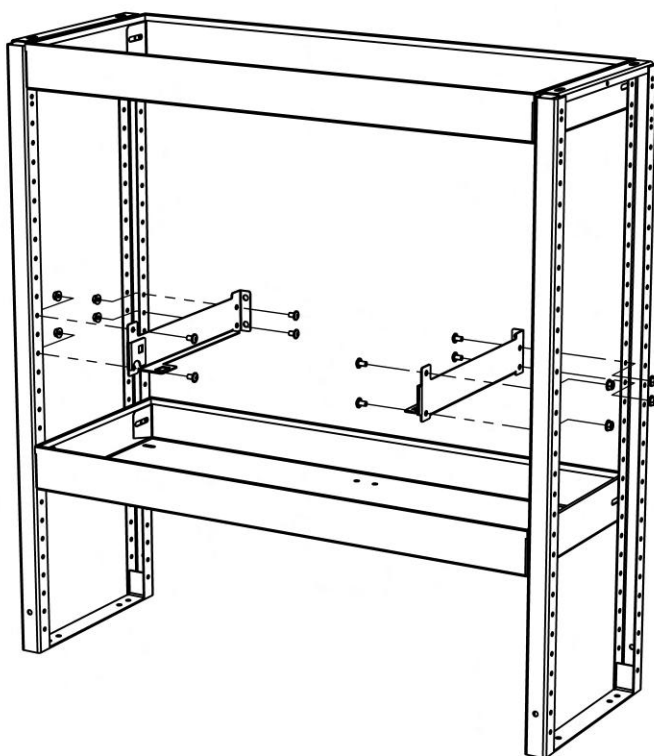
Min. 1

Min. 1

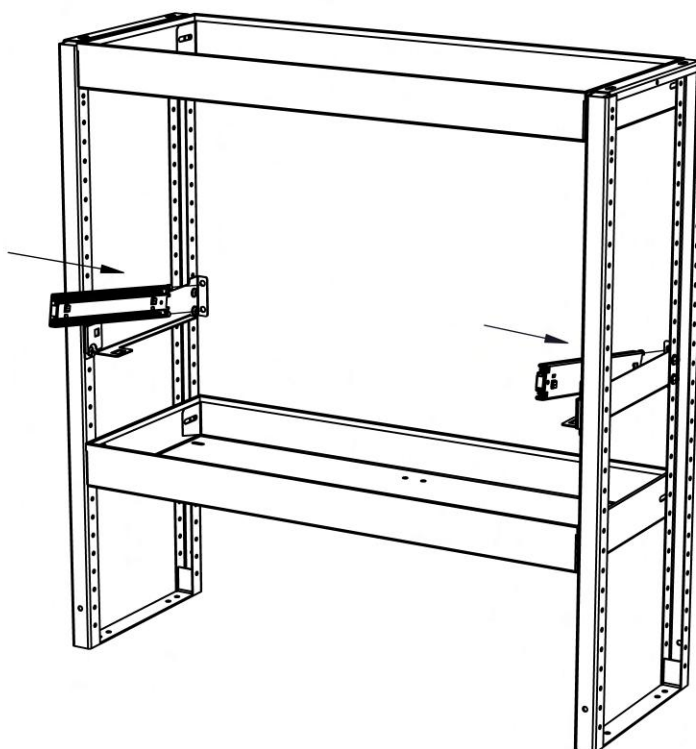
**SYSTEM**  
**EDSTRÖM**

## BALL BEARING KIT FOR SHELVES

1



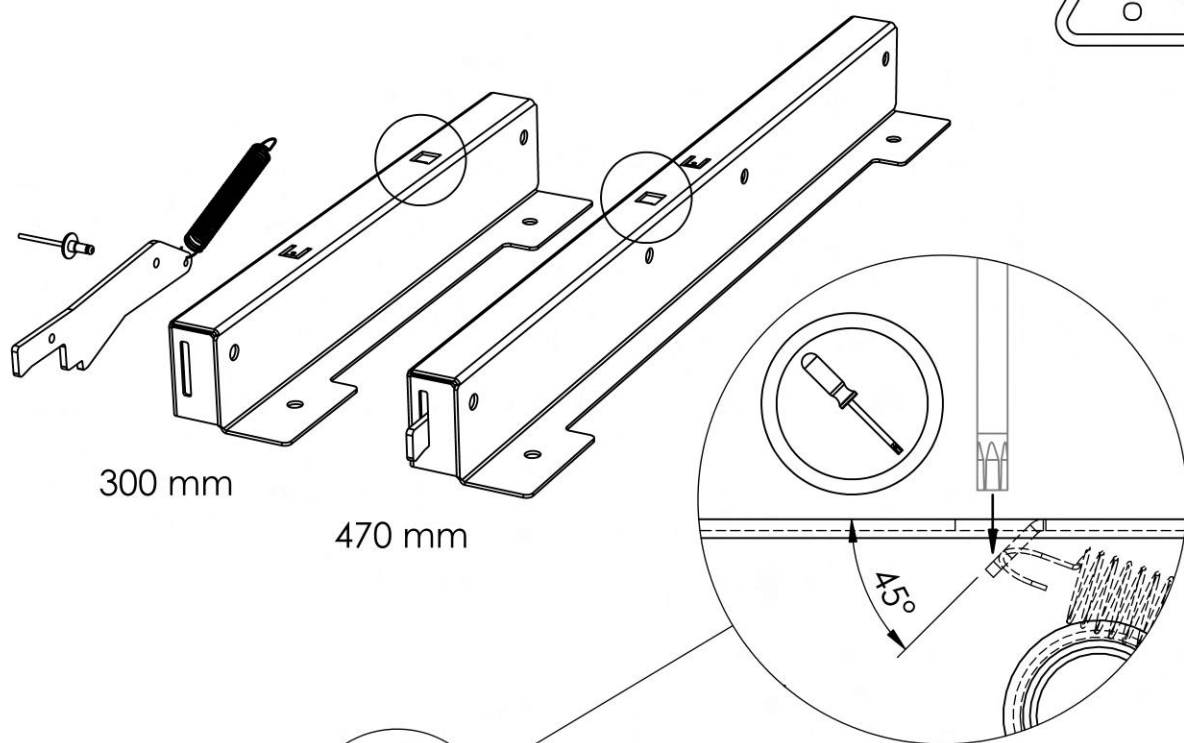
2



**SYSTEM**   
**EDSTRÖM**

# BALL BEARING KIT FOR SHELVES

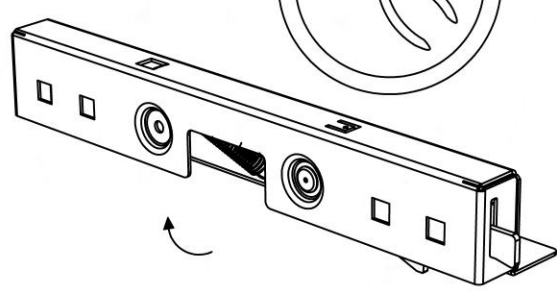
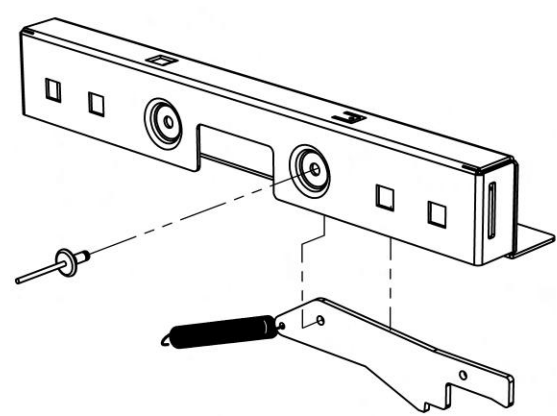
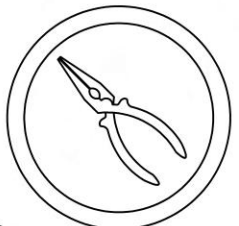
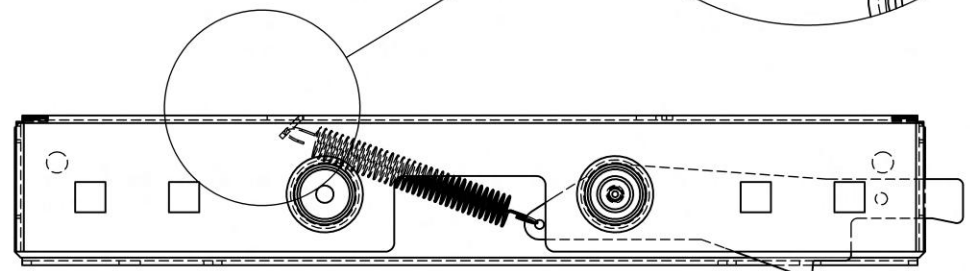
3



300 mm

470 mm

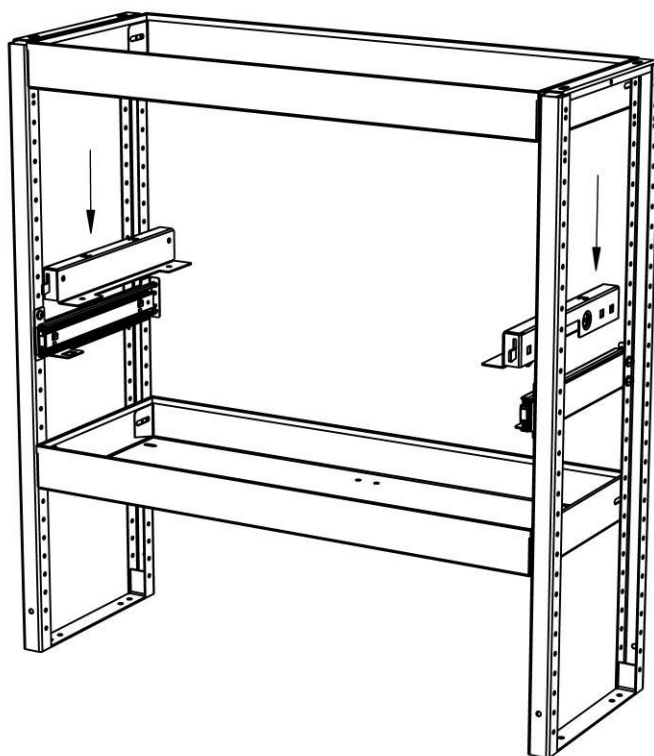
45°



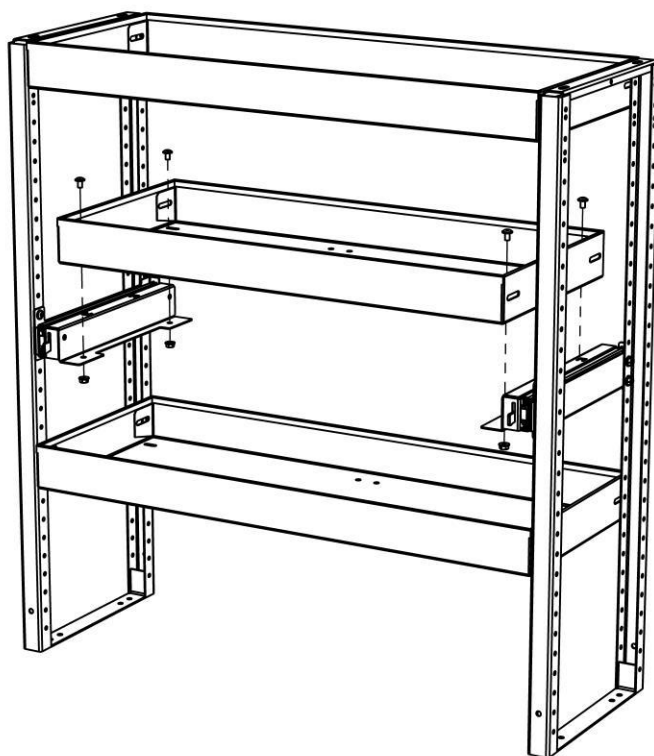
**SYSTEM**   
**EDSTRÖM**

## BALL BEARING KIT FOR SHELVES

4



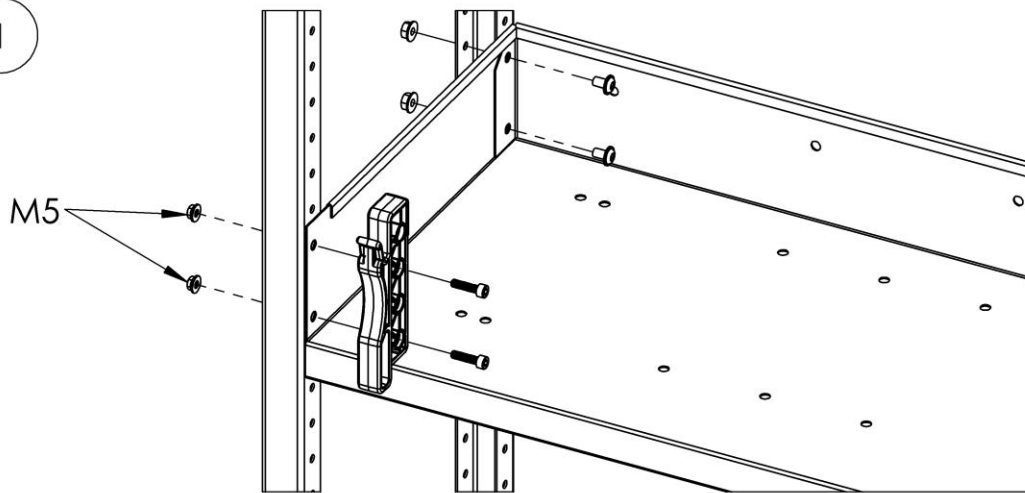
5



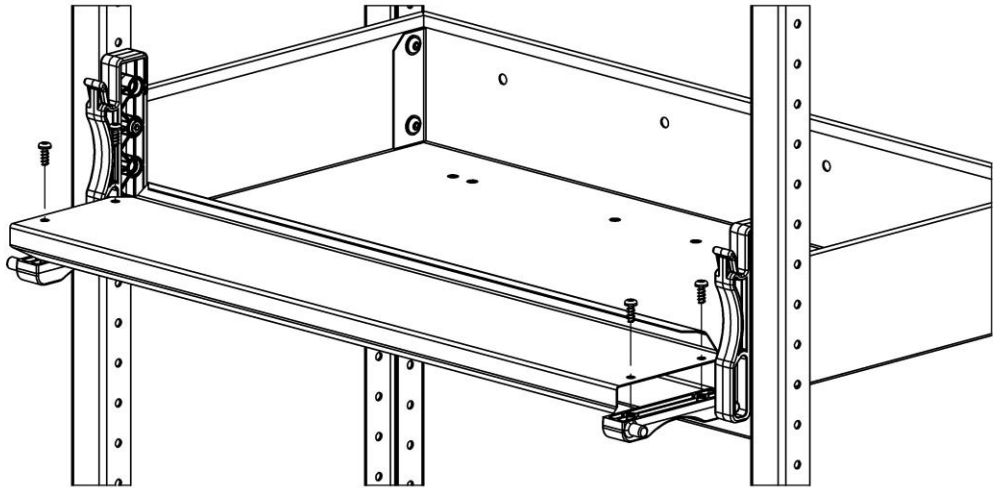
**SYSTEM**   
**EDSTRÖM**

# DROPFRONT

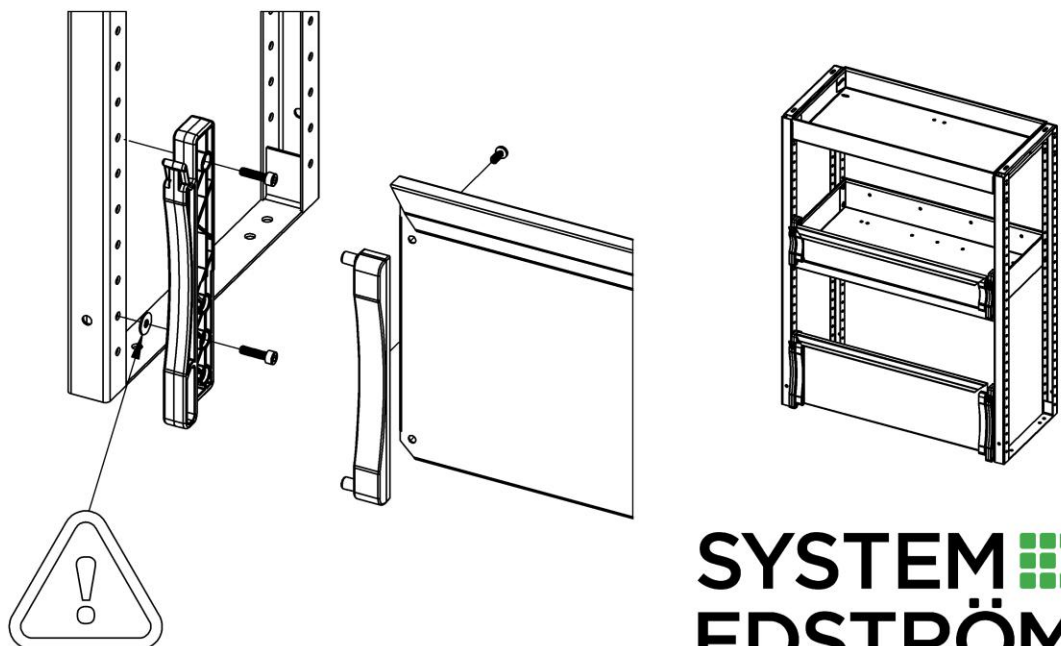
1



2



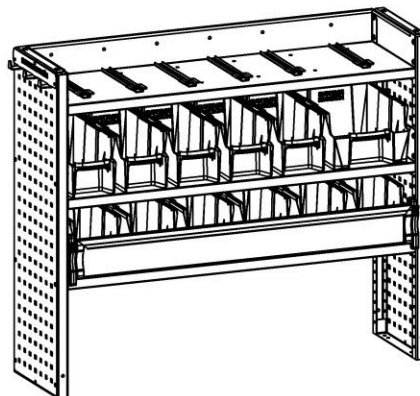
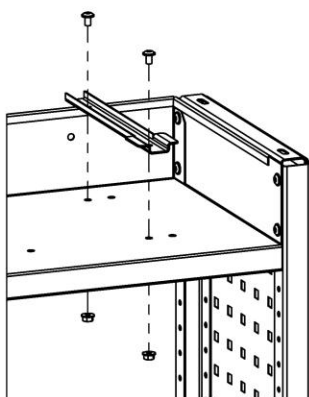
3



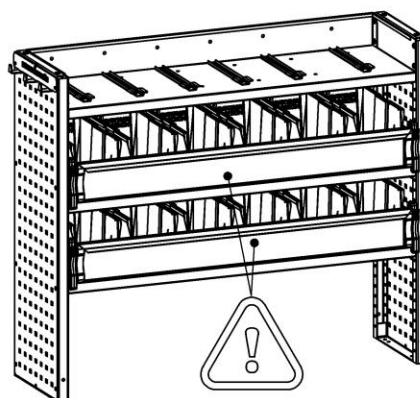
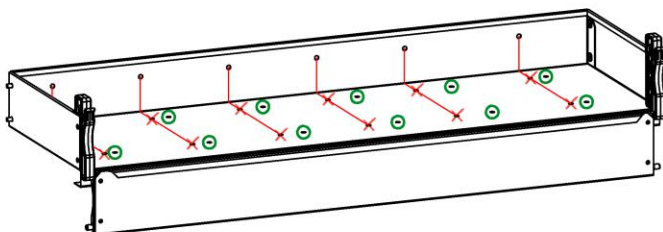
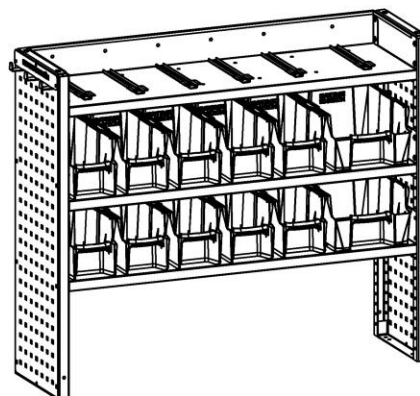
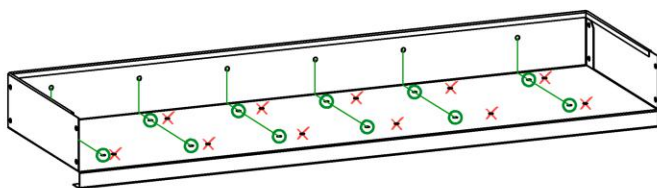
**SYSTEM**   
**EDSTRÖM**

## 3081, 3082 - DROPFRONT BRACKETS

1



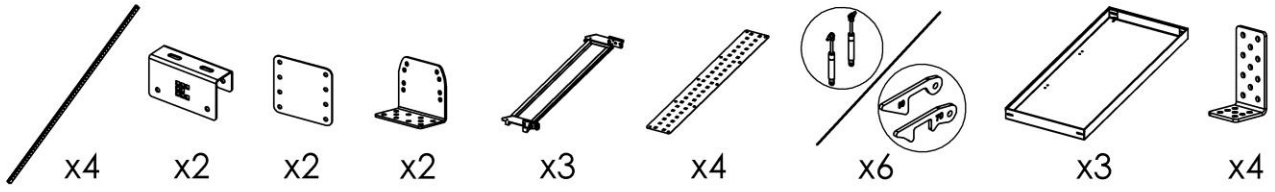
2



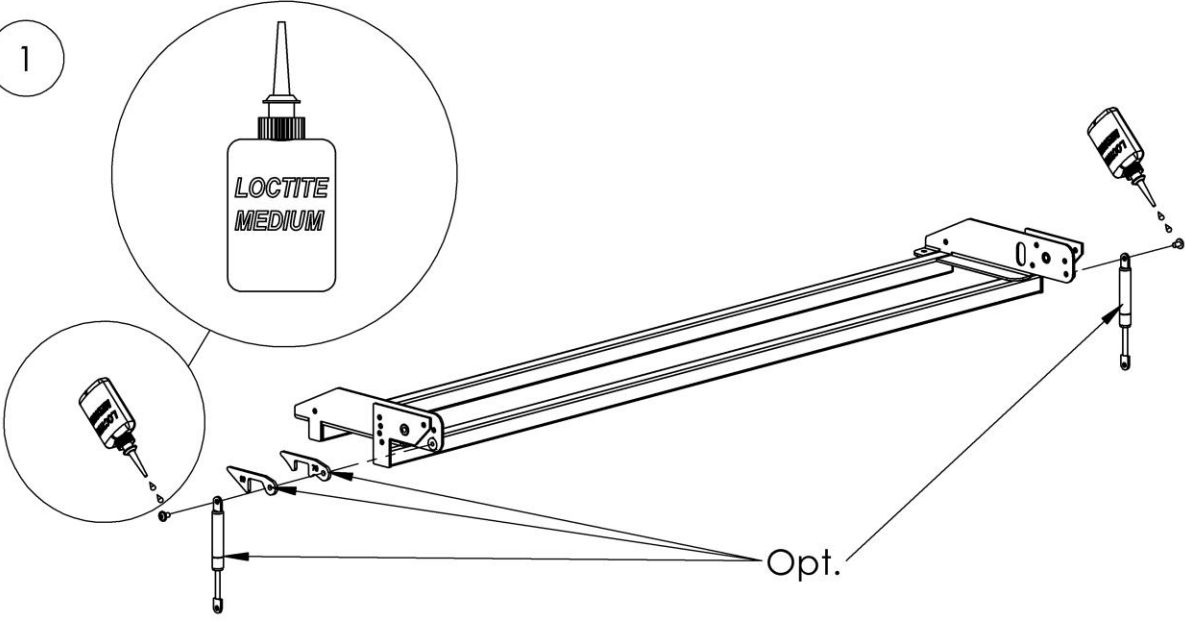
**SYSTEM**   
**EDSTRÖM**



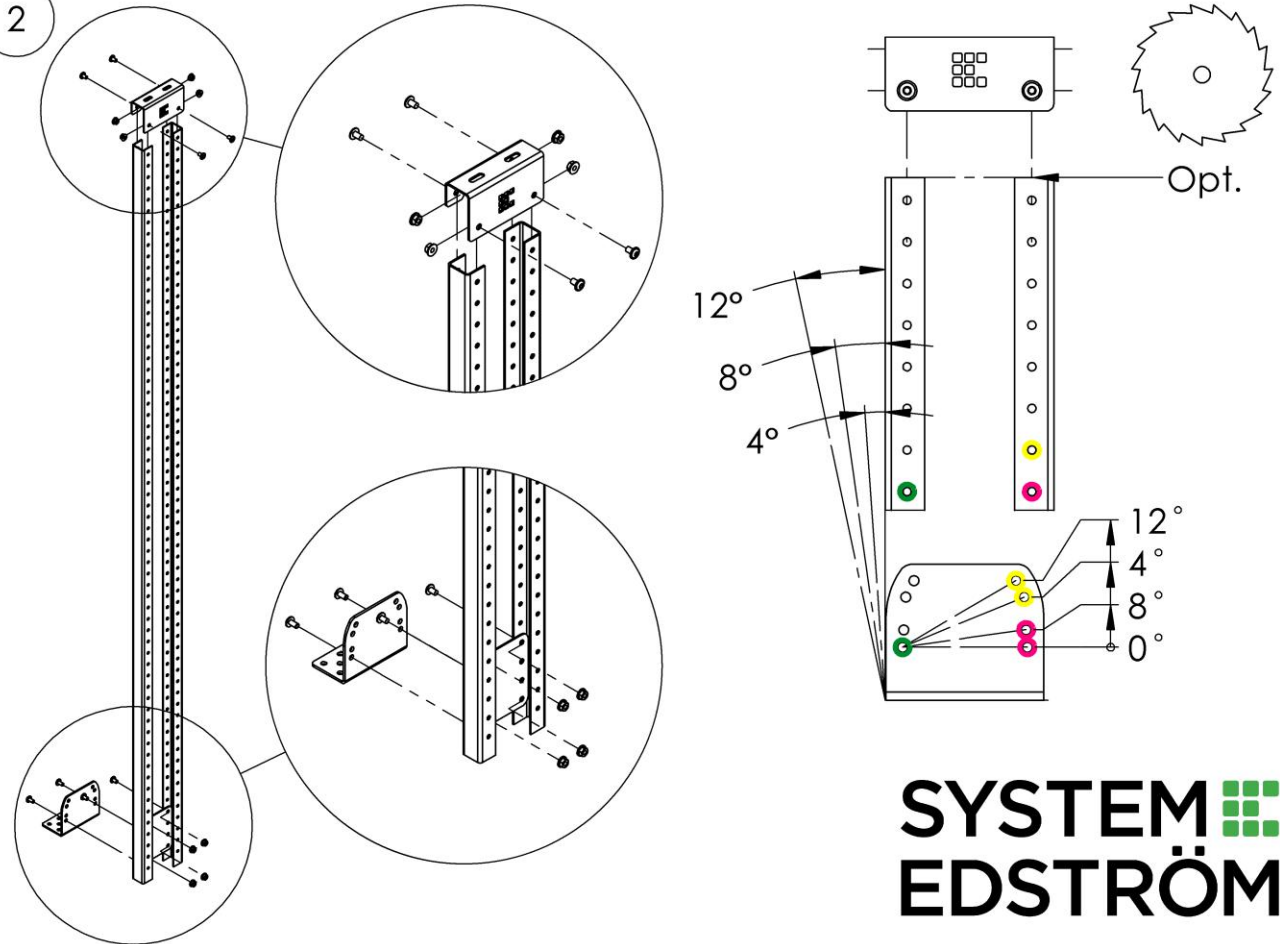
# FLEXI SYSTEM



1



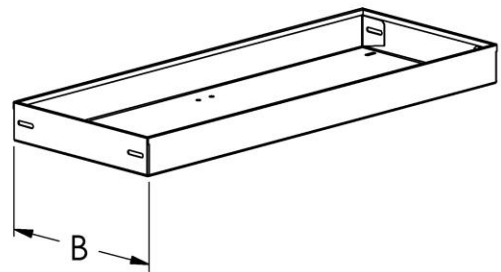
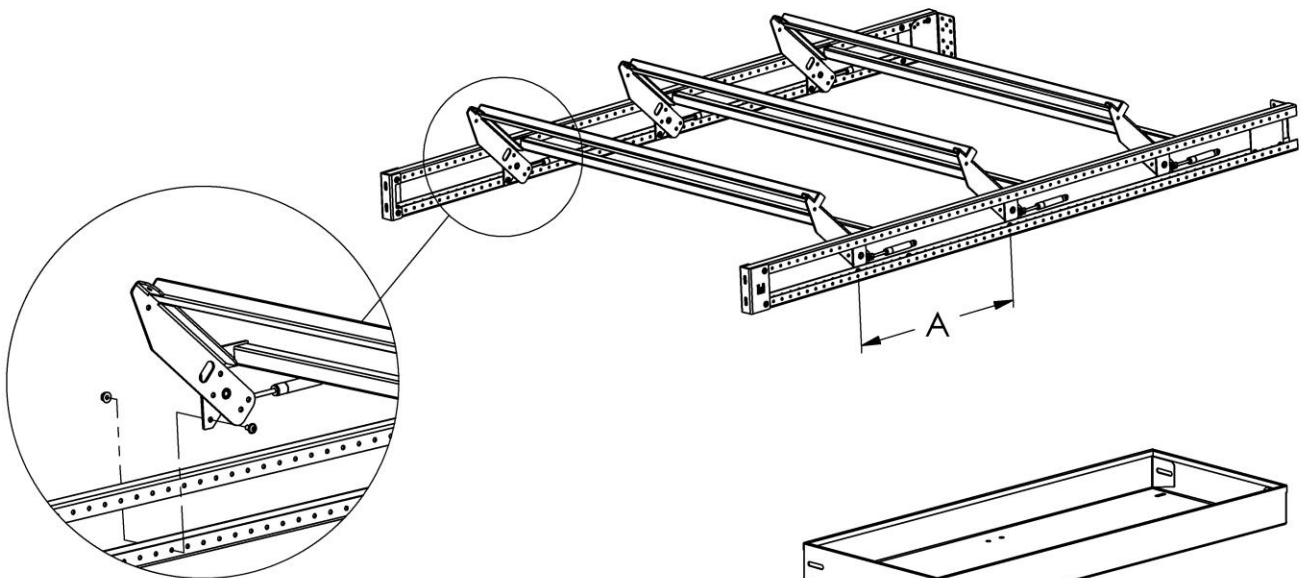
2



**SYSTEM**   
**EDSTRÖM**

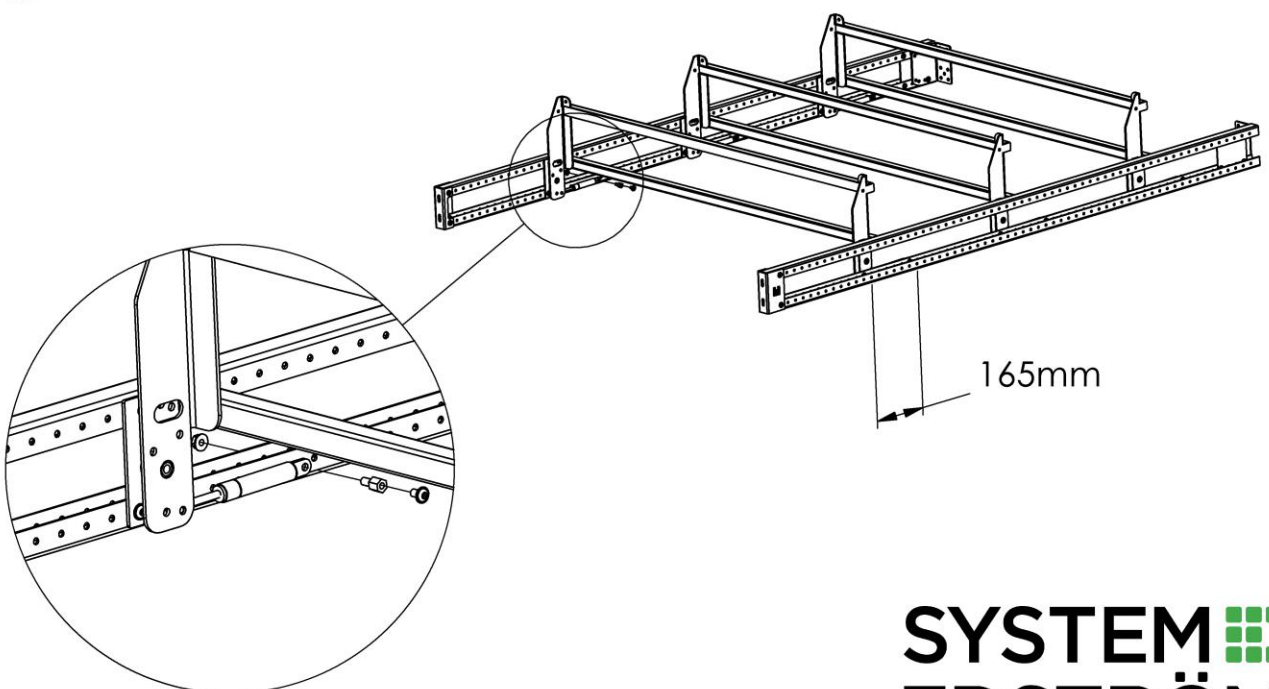
# FLEXI SYSTEM

3



	<b>B</b>	<b>A</b>	<b>#</b>
<b>16XX</b>	300mm	330mm	12
<b>15XX</b>	400mm	440mm	16
<b>17XX-70°</b>	470mm	495mm	18
<b>17XX-90°</b>	470mm	330mm	12

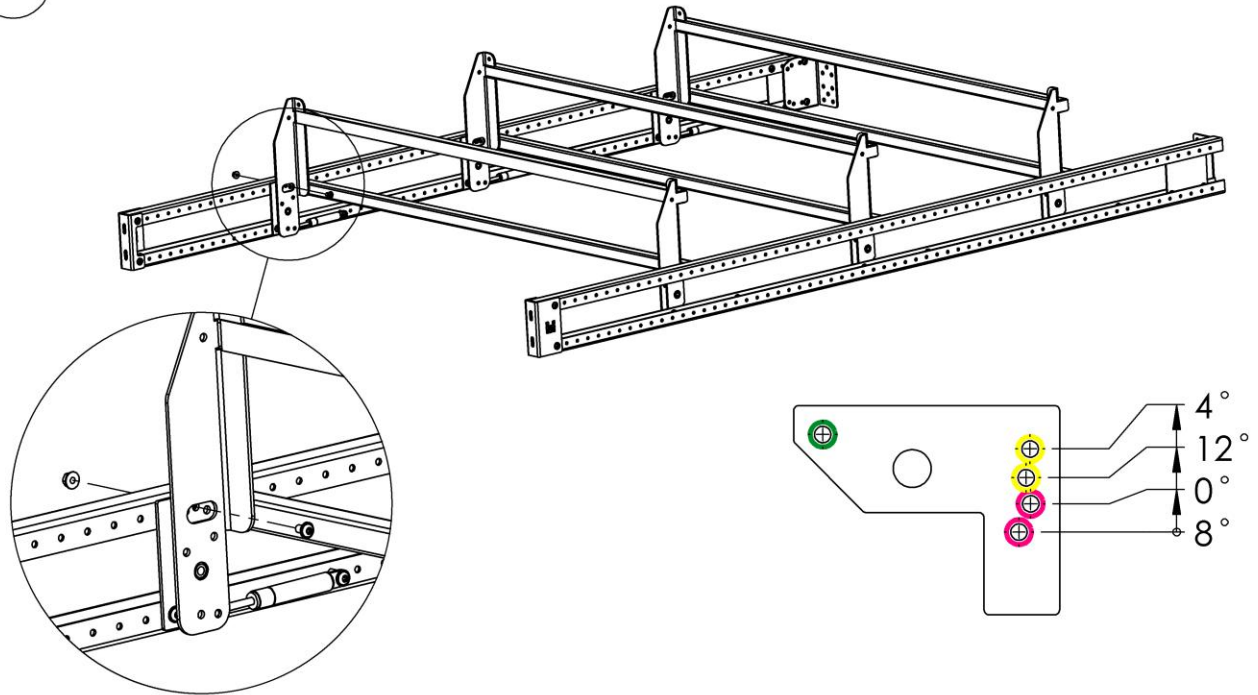
4



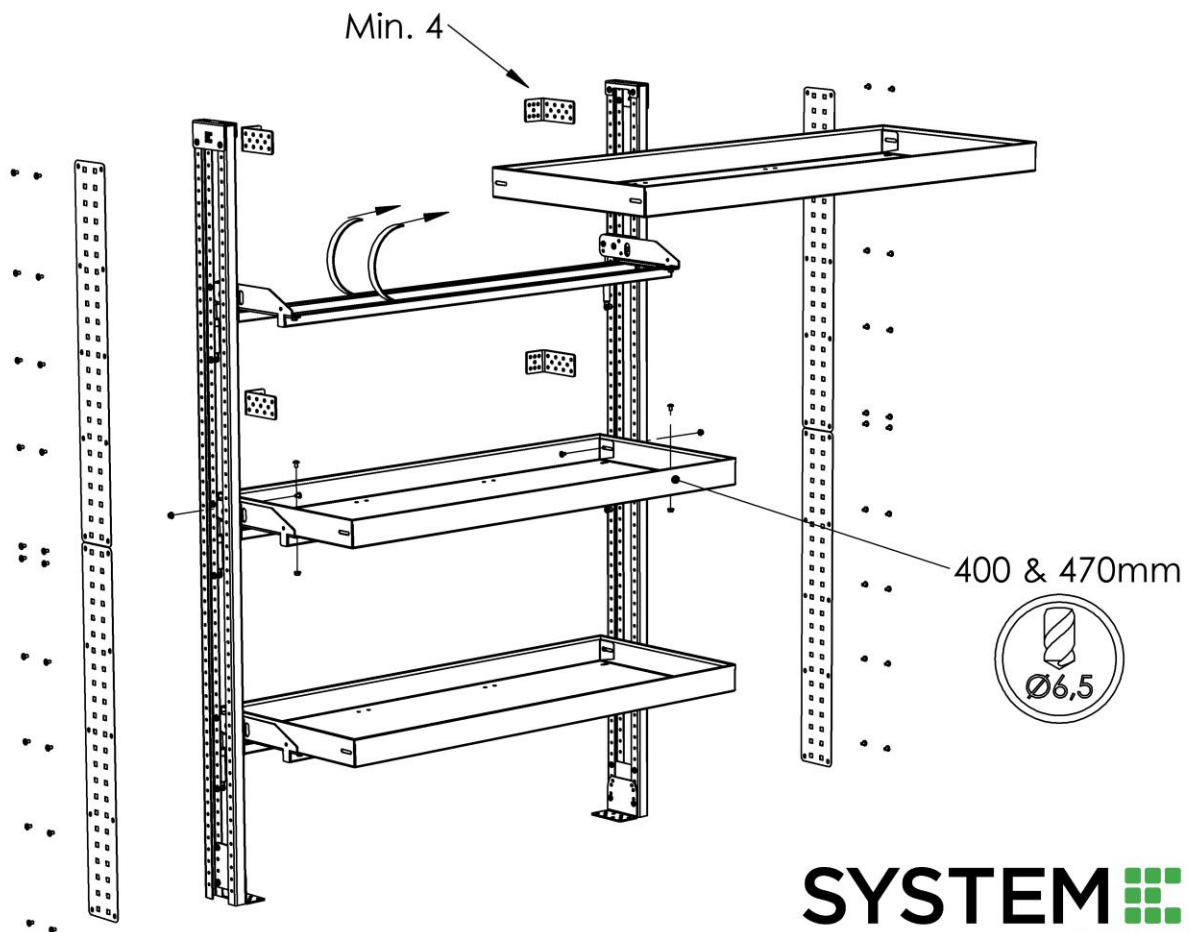
**SYSTEM**   
**EDSTRÖM**

# FLEXI SYSTEM

5

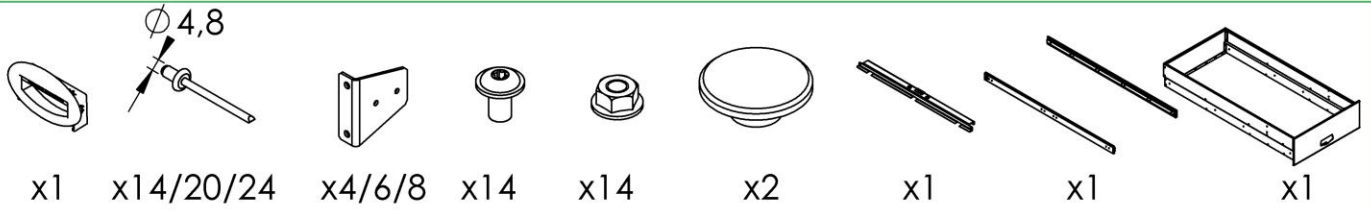


6

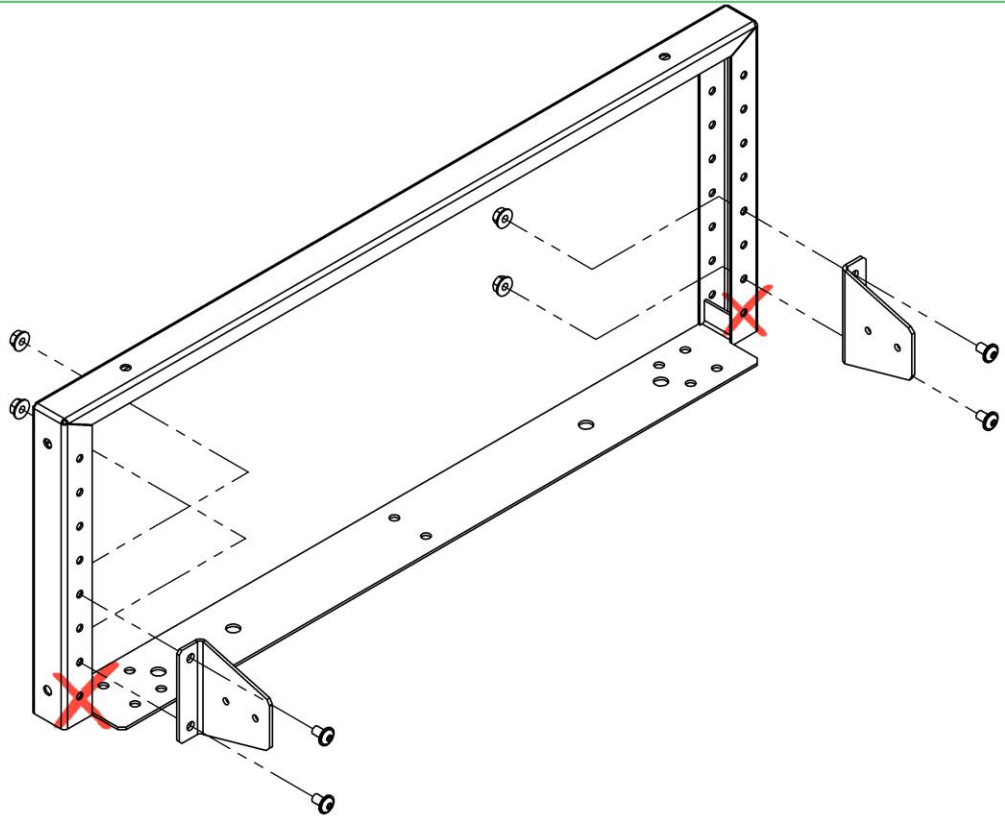


**SYSTEM**   
**EDSTRÖM**

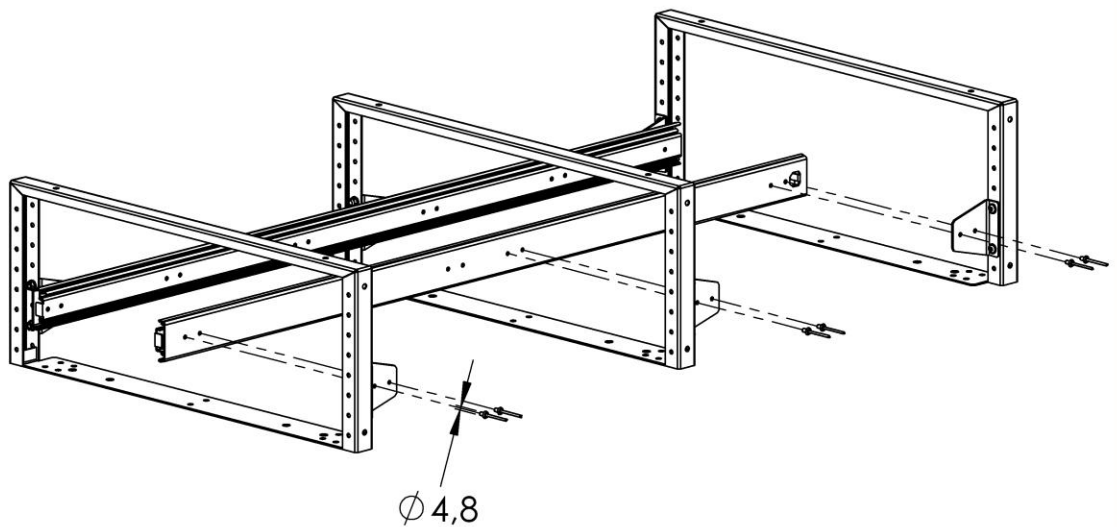
# EXTENDED DRAWER & FALSE FLOOR



1 x3



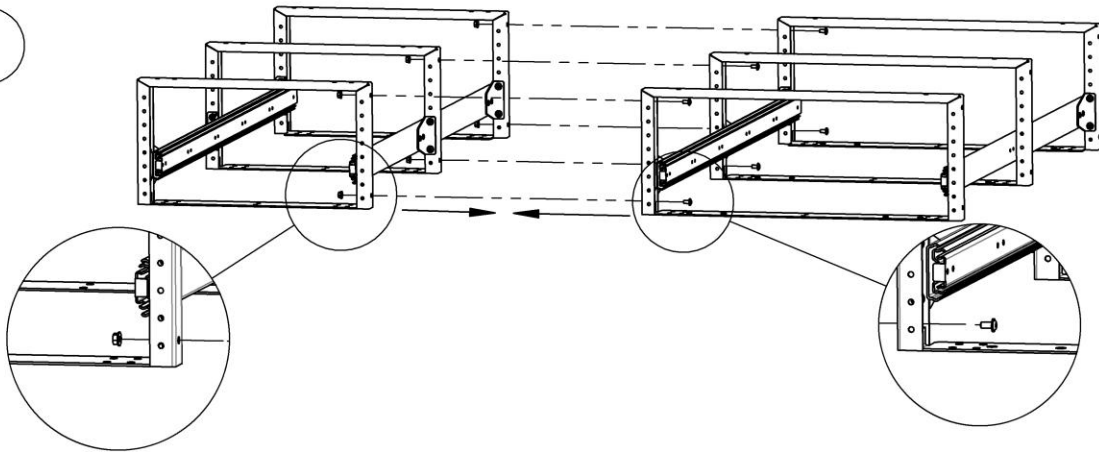
2



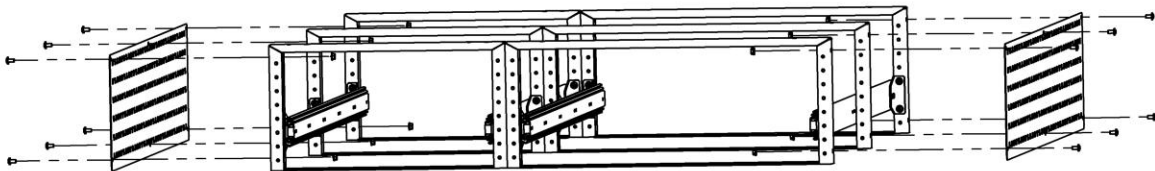
**SYSTEM**  
**EDSTRÖM**

## EXTENDED DRAWER & FALSE FLOOR

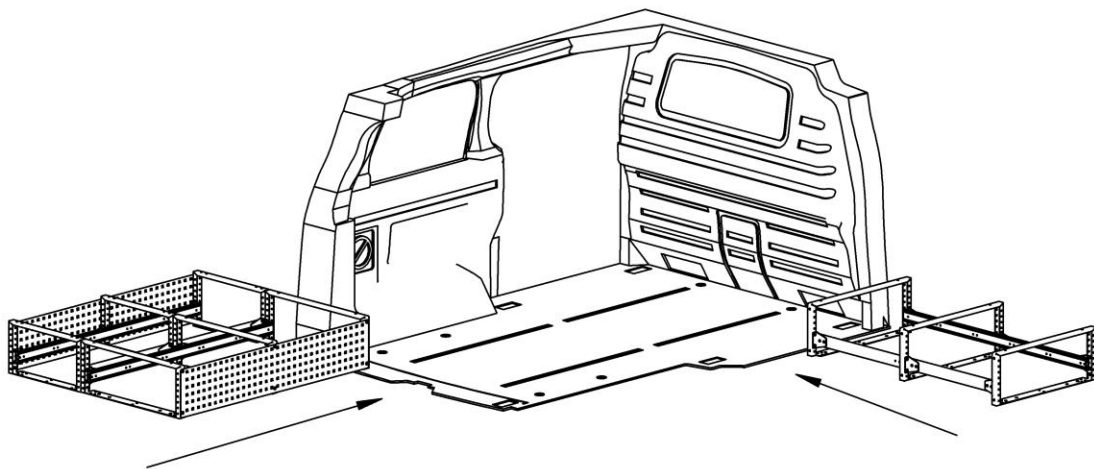
3



(4)



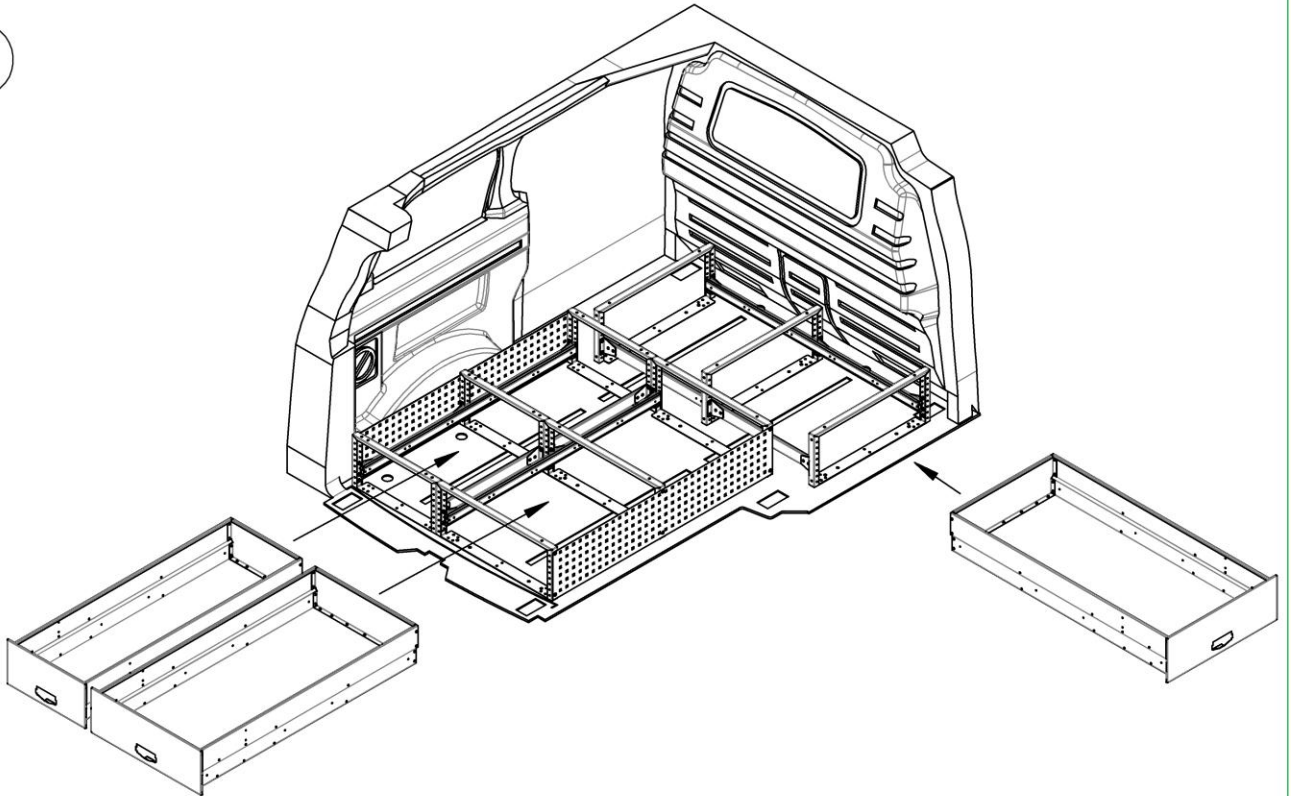
5



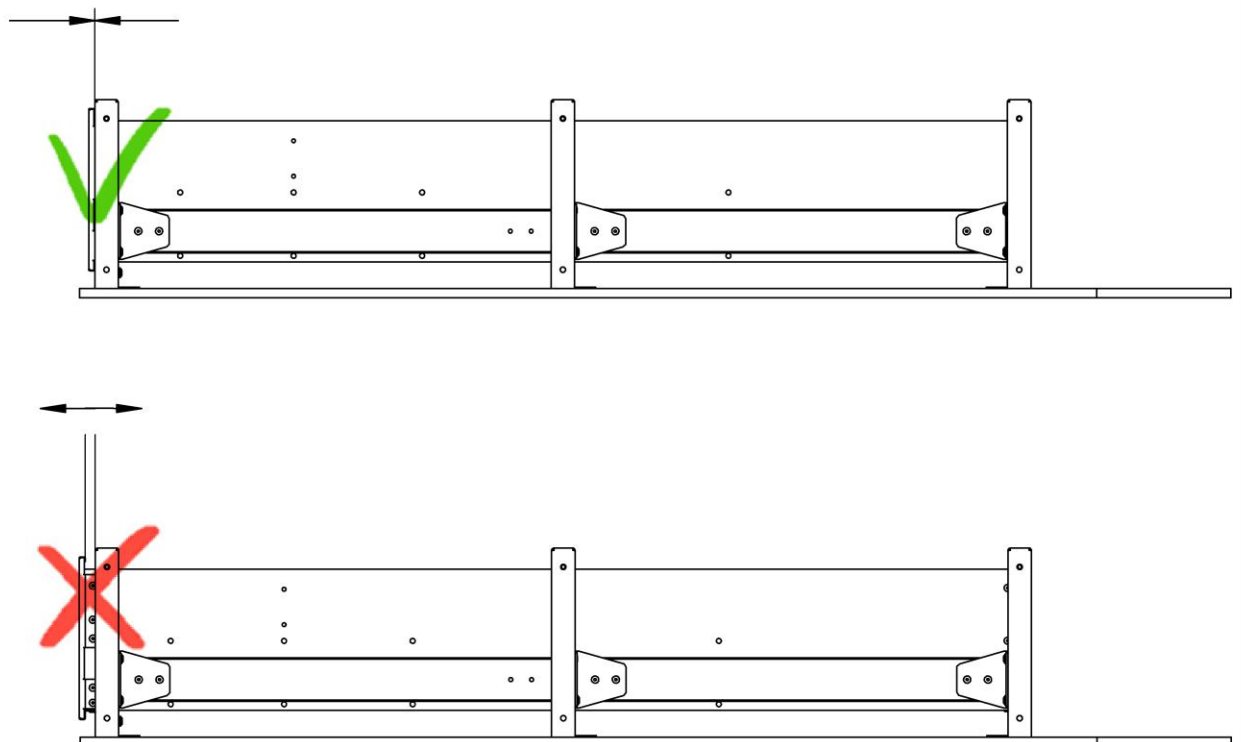
**SYSTEM**   
**EDSTRÖM**

## EXTENDED DRAWER & FALSE FLOOR

6

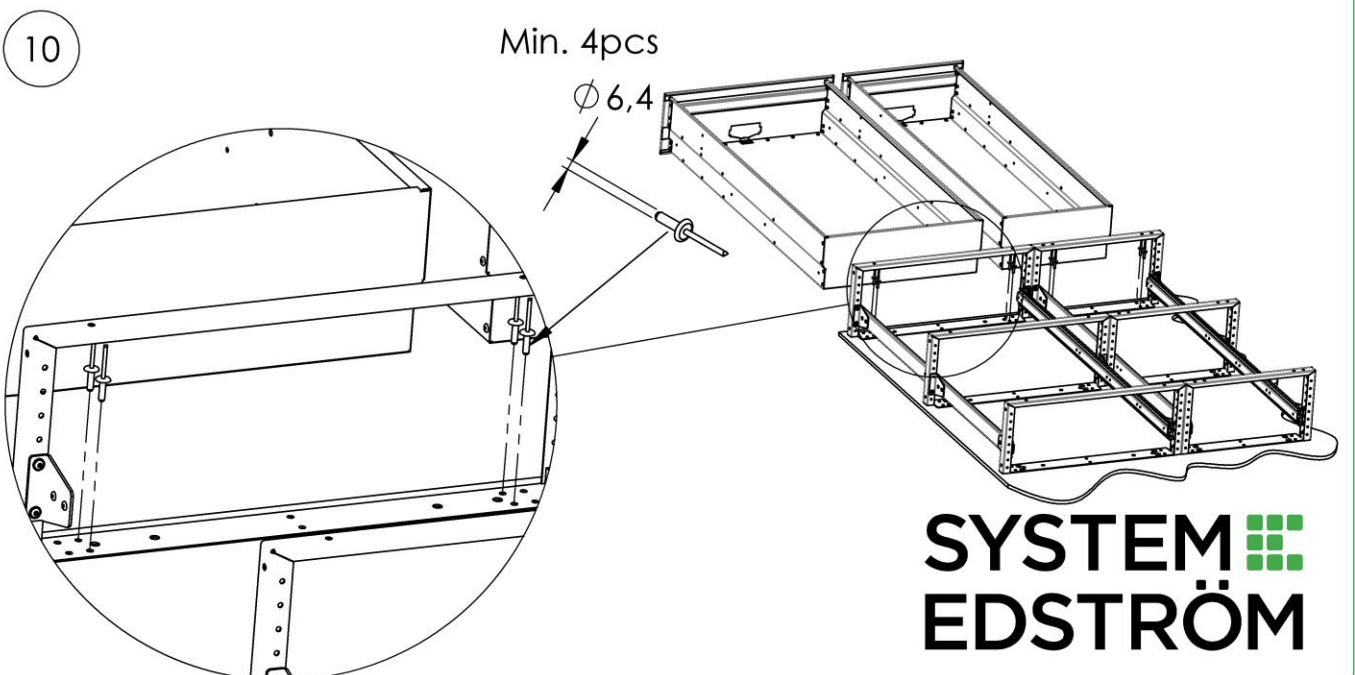
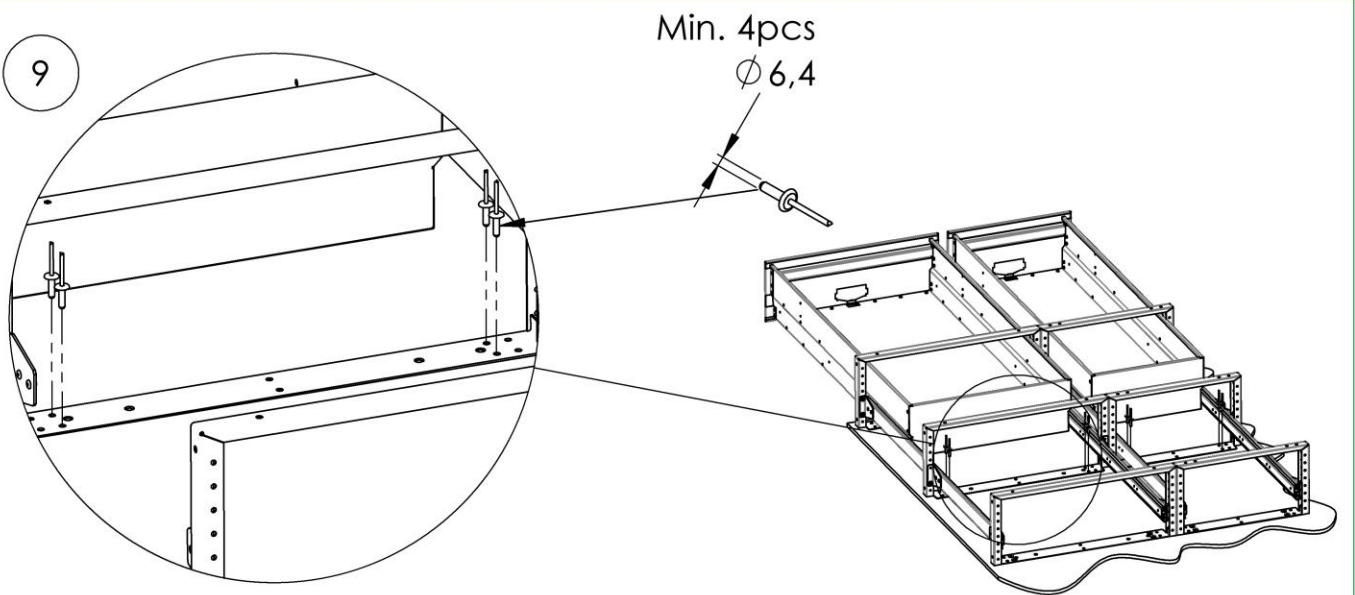
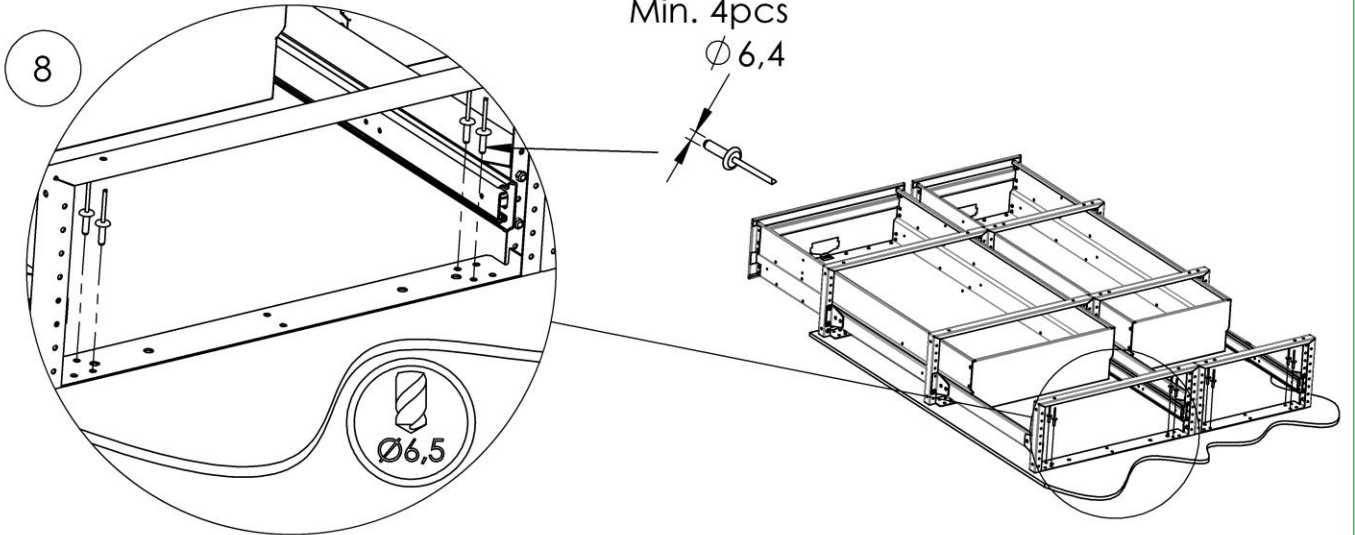


7



**SYSTEM**   
**EDSTRÖM**

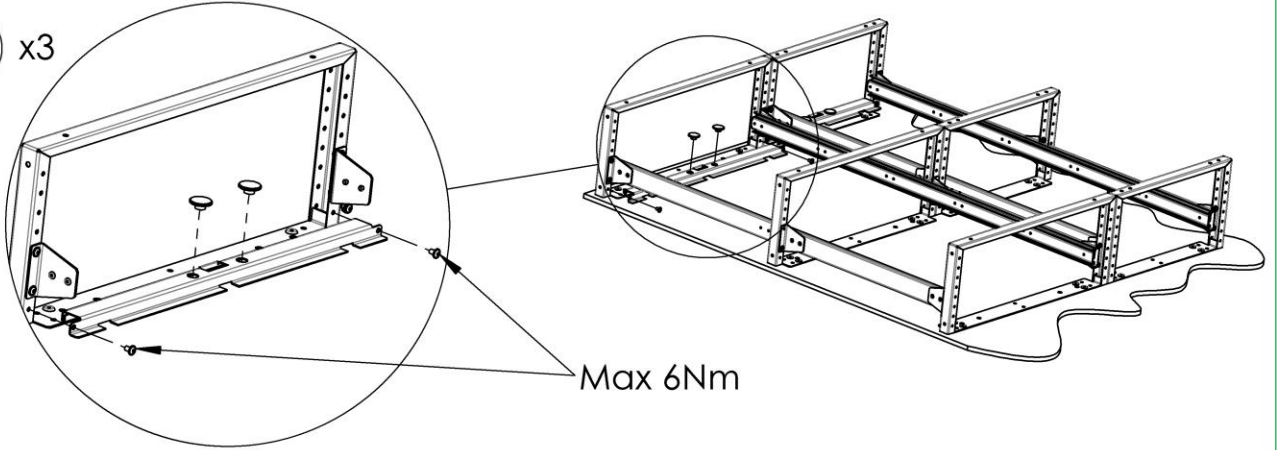
## EXTENDED DRAWER & FALSE FLOOR



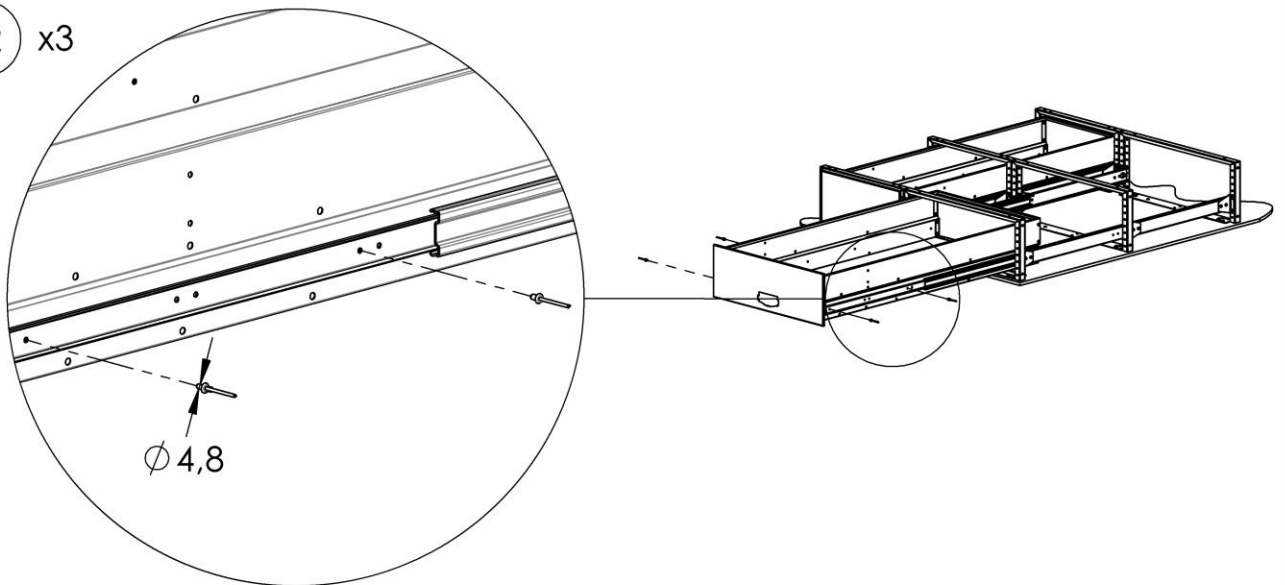
**SYSTEM**   
**EDSTRÖM**

## EXTENDED DRAWER & FALSE FLOOR

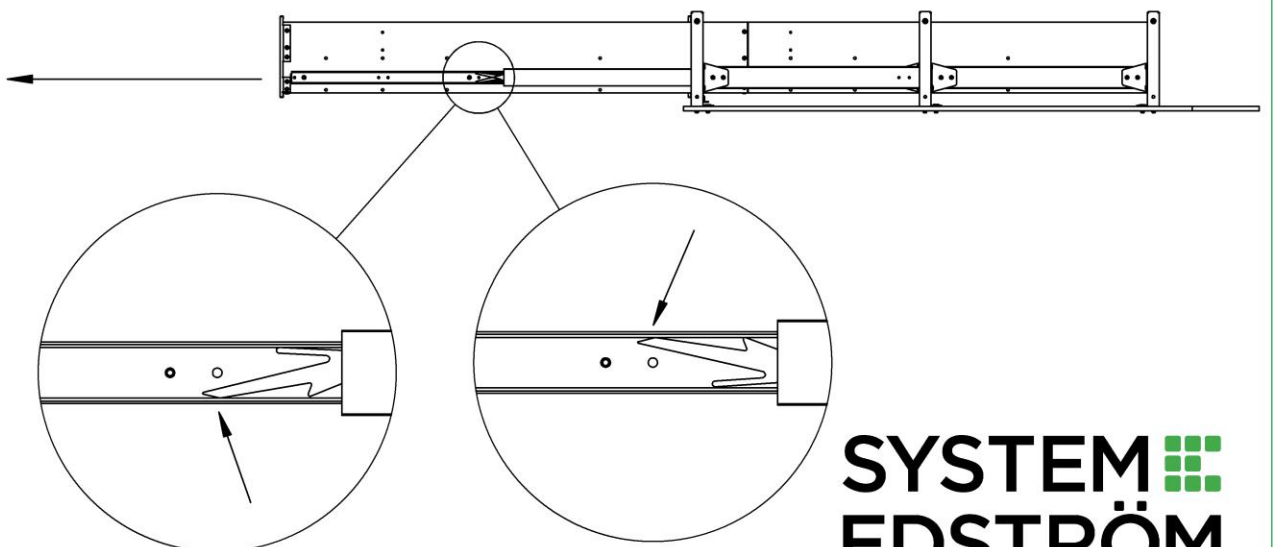
11 x3



12 x3



13

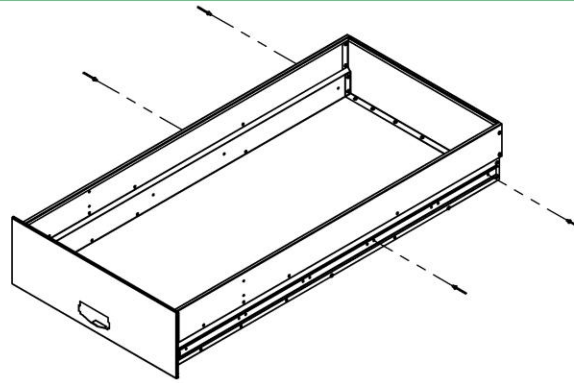


**SYSTEM**   
**EDSTRÖM**

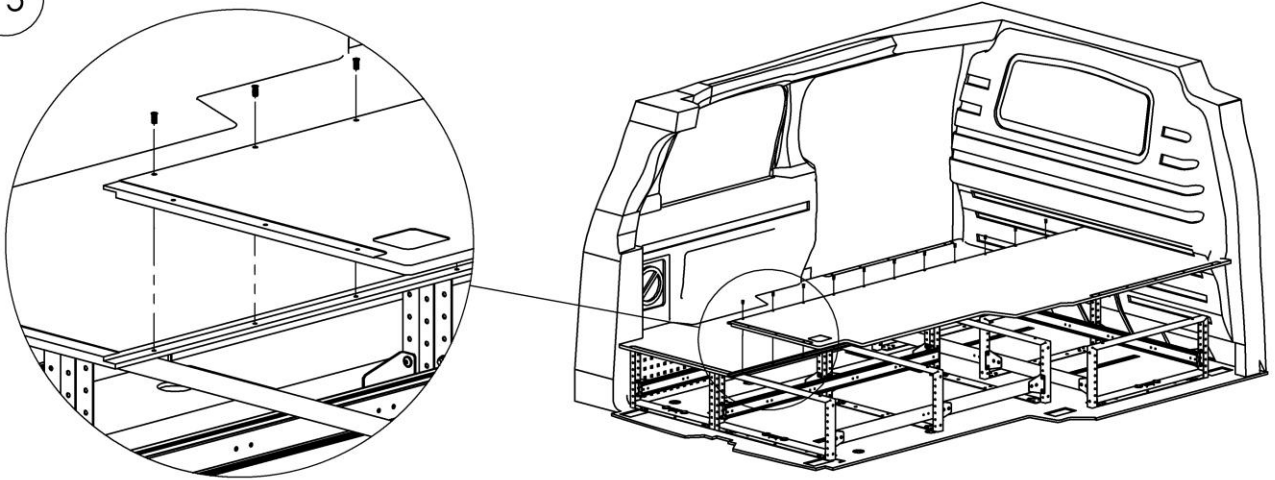


## EXTENDED DRAWER & FALSE FLOOR

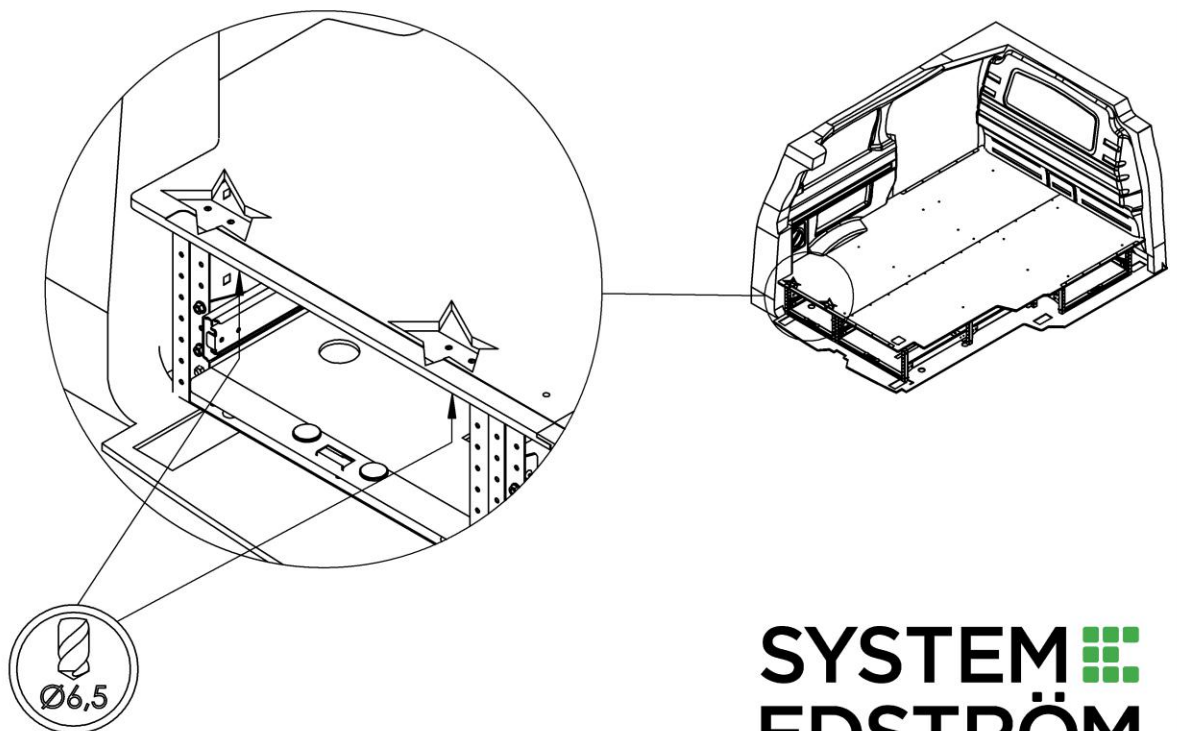
14



15



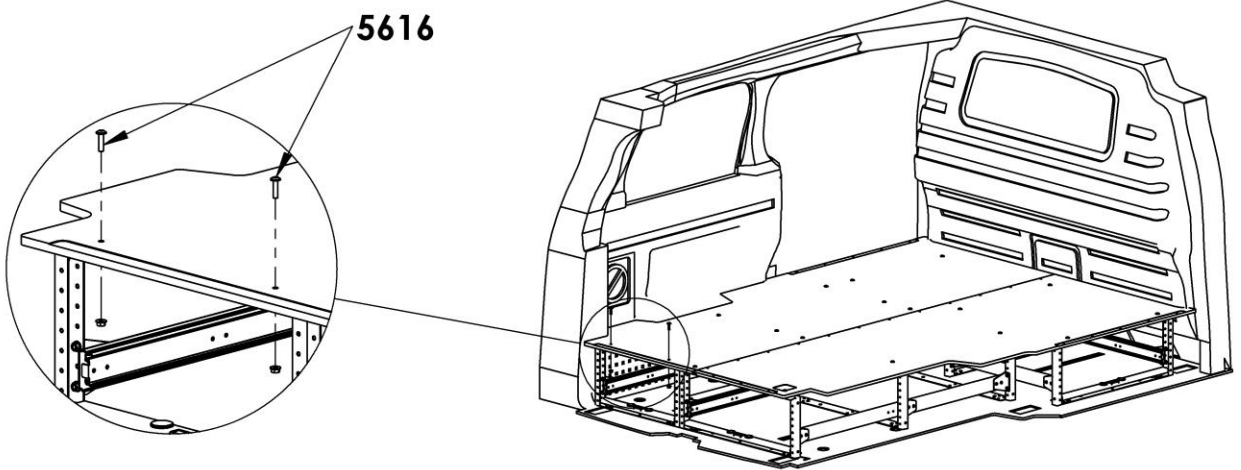
16



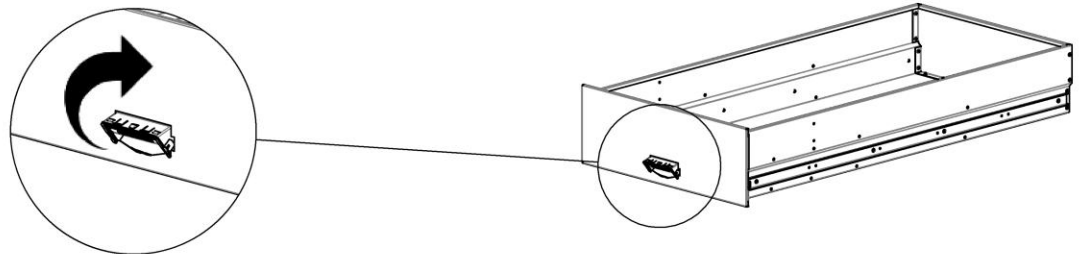
**SYSTEM**   
**EDSTRÖM**

## EXTENDED DRAWER & FALSE FLOOR

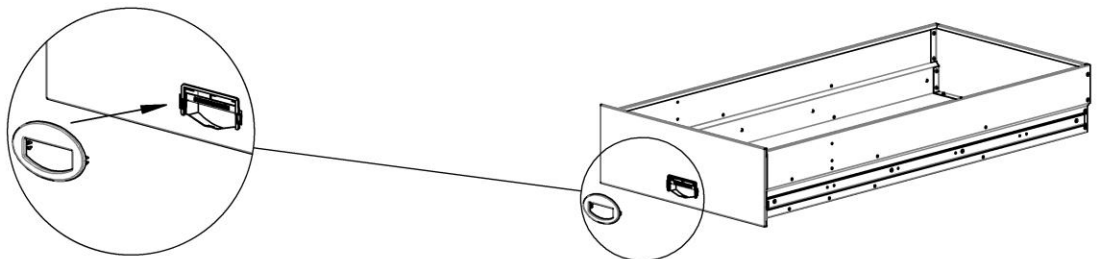
17



18

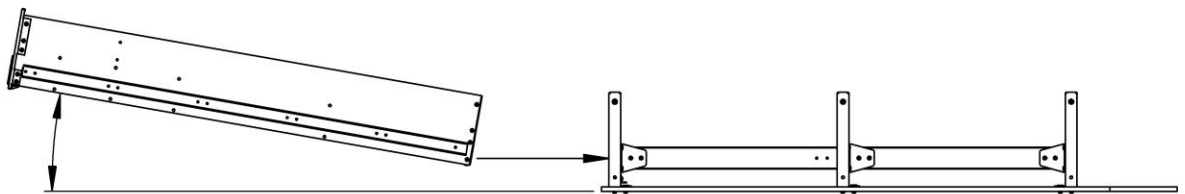


19

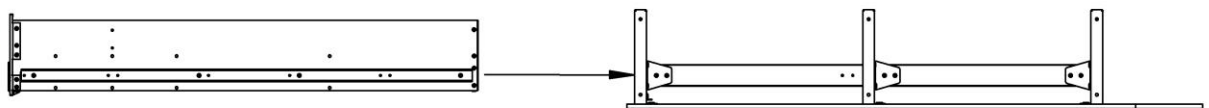


20

✗



✓



**SYSTEM**   
**EDSTRÖM**

# T8900-INTERNAL LADDER HOLDER



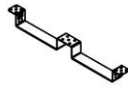
x1



x1



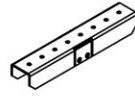
x2



x1



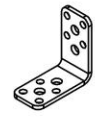
x1



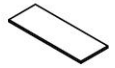
x1



x2



x2



x4



x2



x2



x2



x2



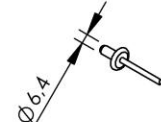
x2



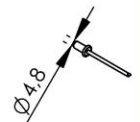
x2



x2

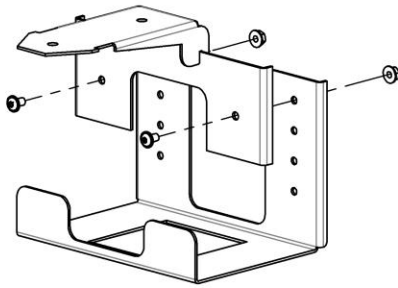


x10

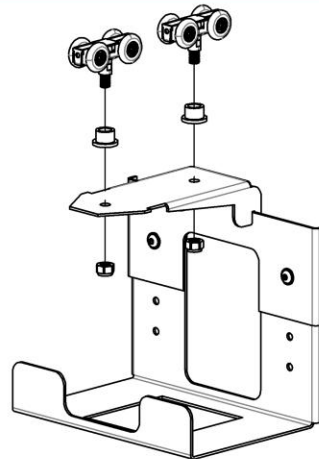


x8

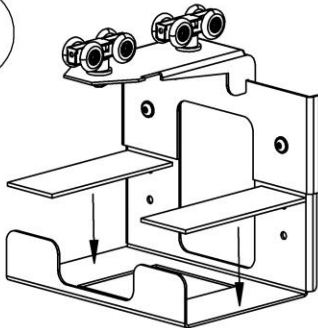
1



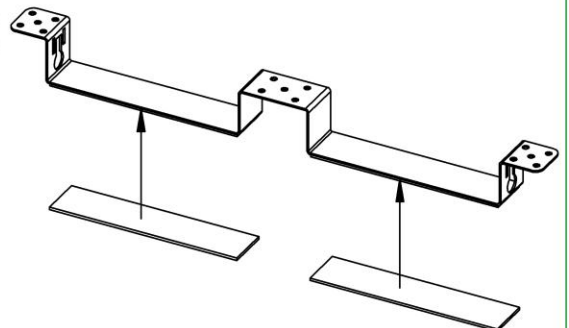
2



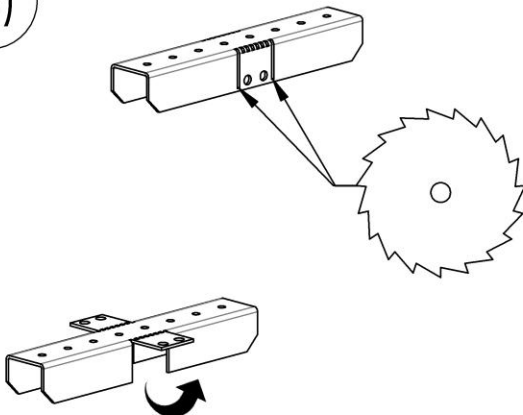
3



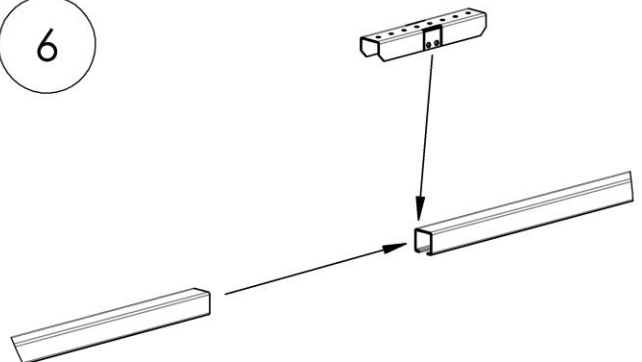
4



(5)



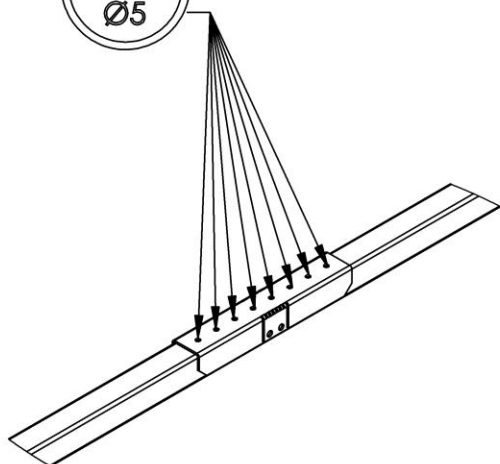
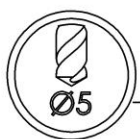
6



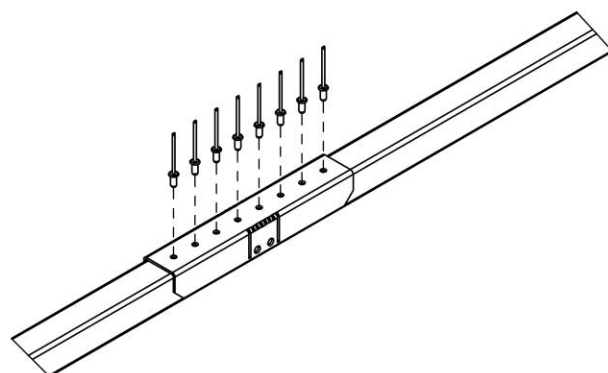
**SYSTEM**  
**EDSTRÖM**

# T8900-INTERNAL LADDER HOLDER

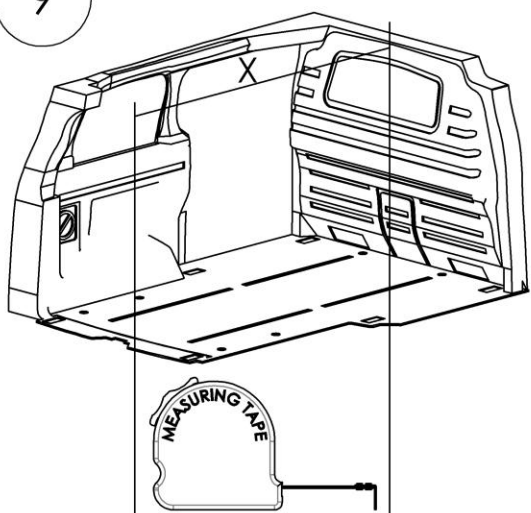
7



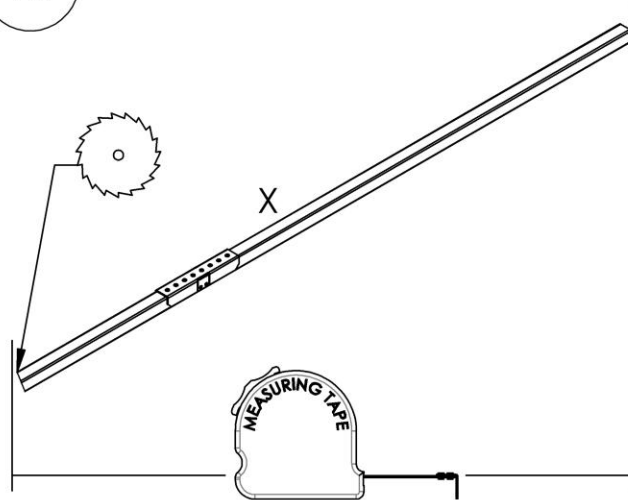
8



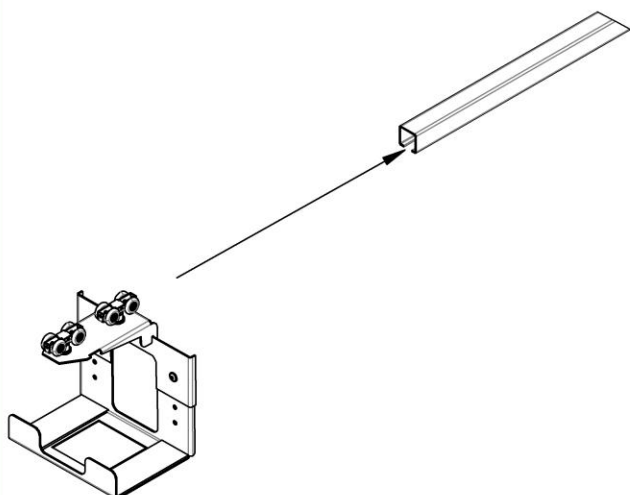
9



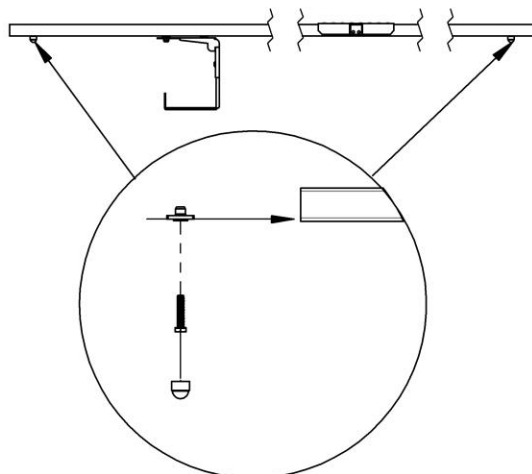
10



11



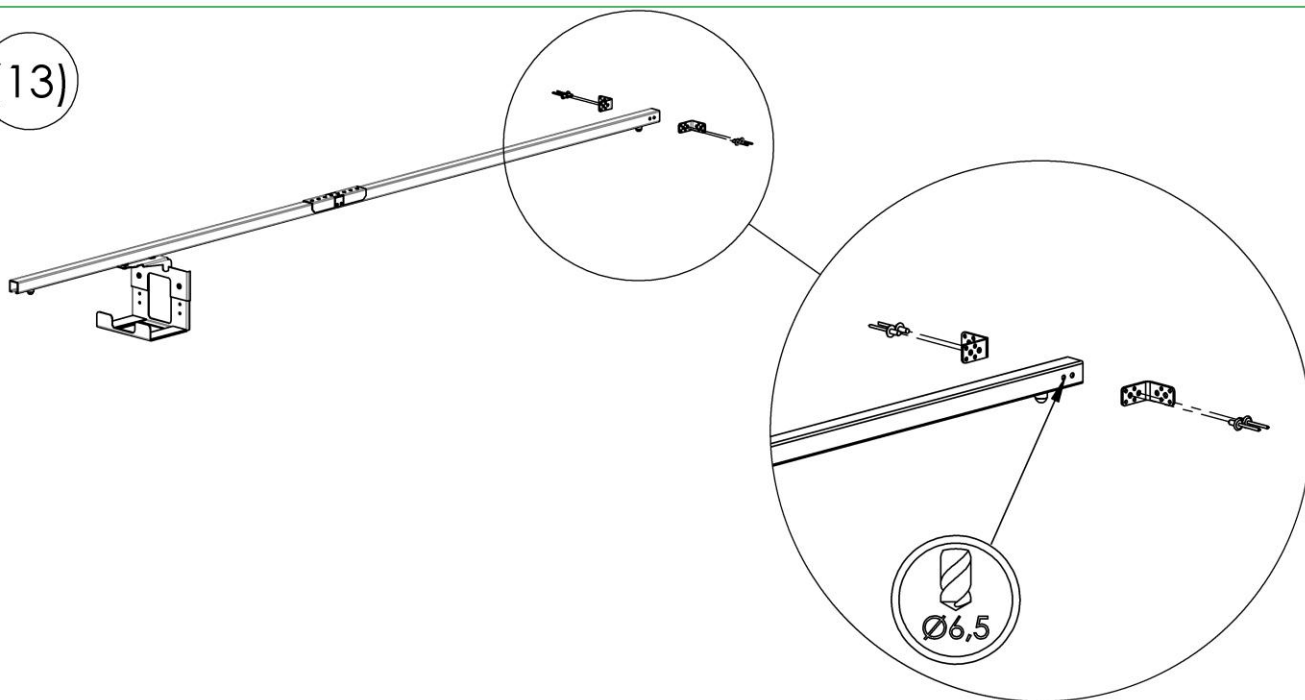
12



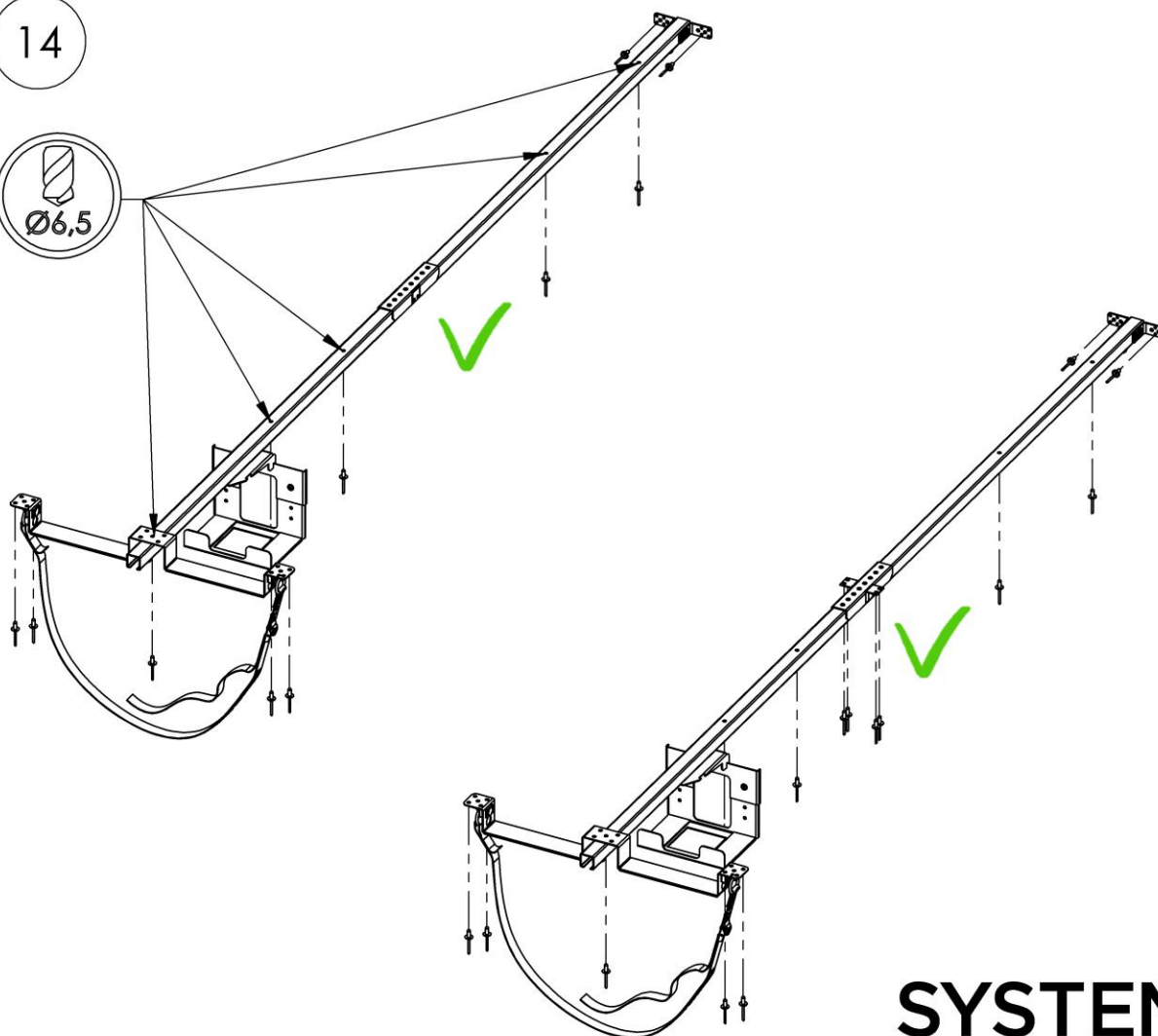
**SYSTEM**   
**EDSTRÖM**

## T8900-INTERNAL LADDER HOLDER

(13)



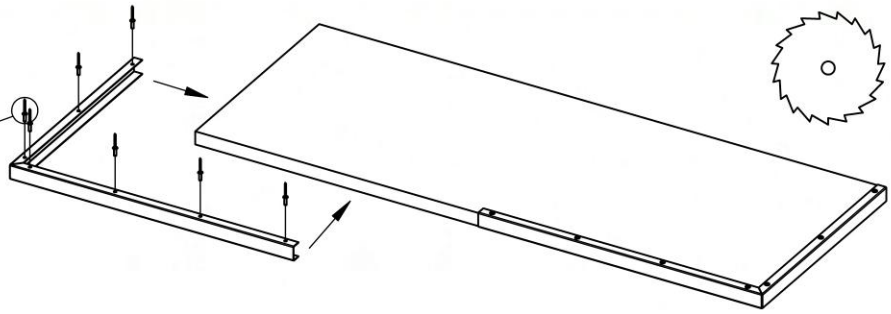
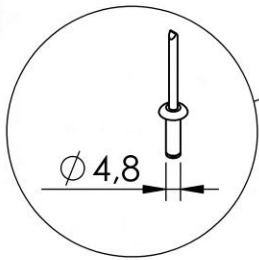
14



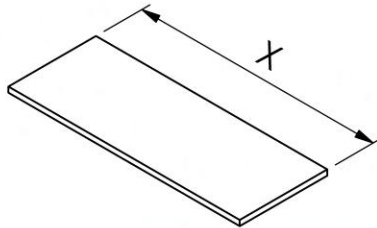
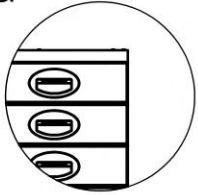
**SYSTEM**   
**EDSTRÖM**

# WORK BENCH

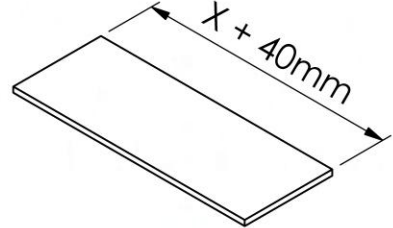
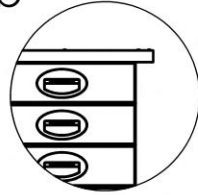
1



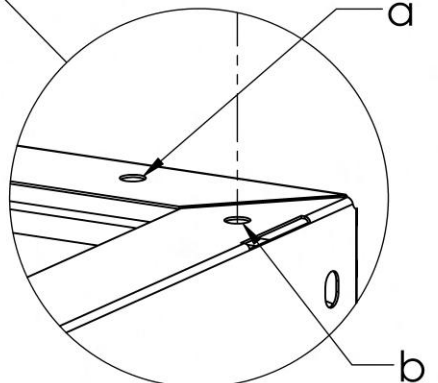
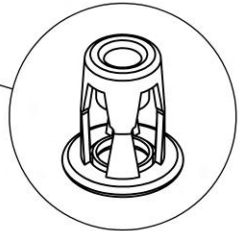
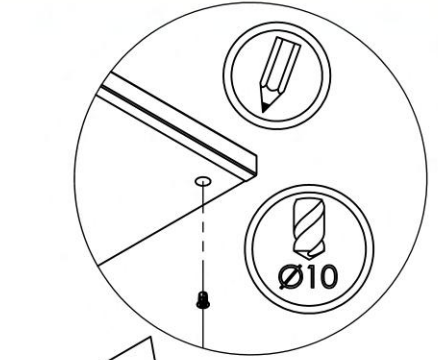
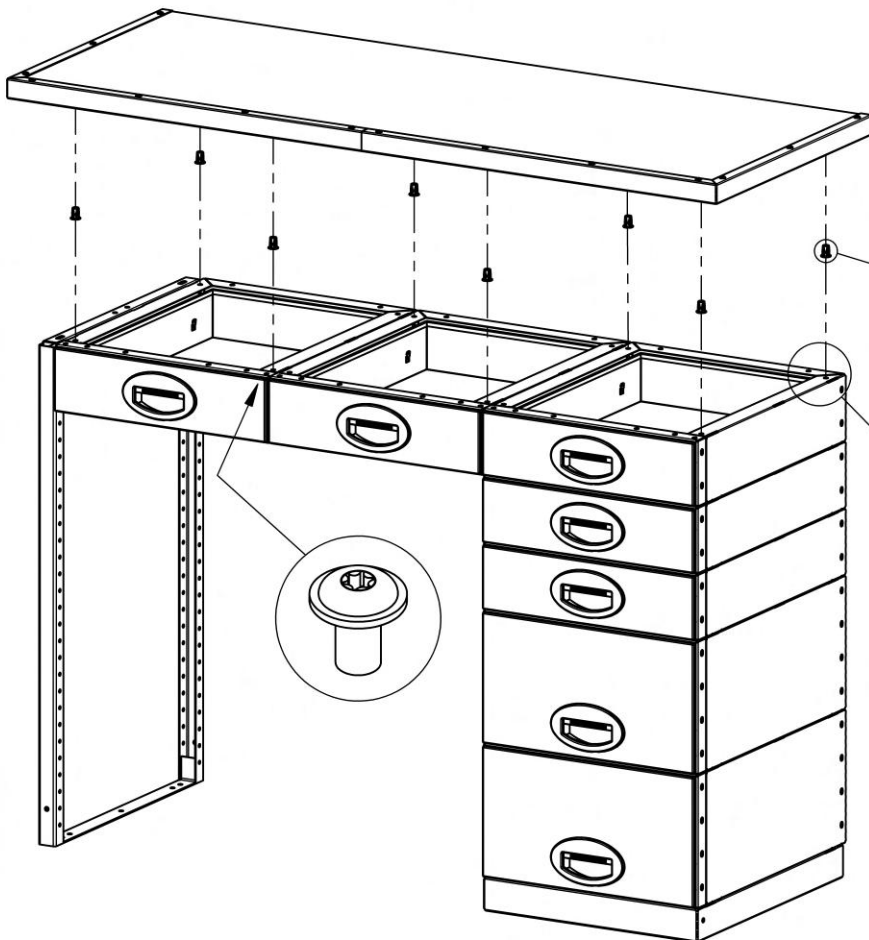
a



b



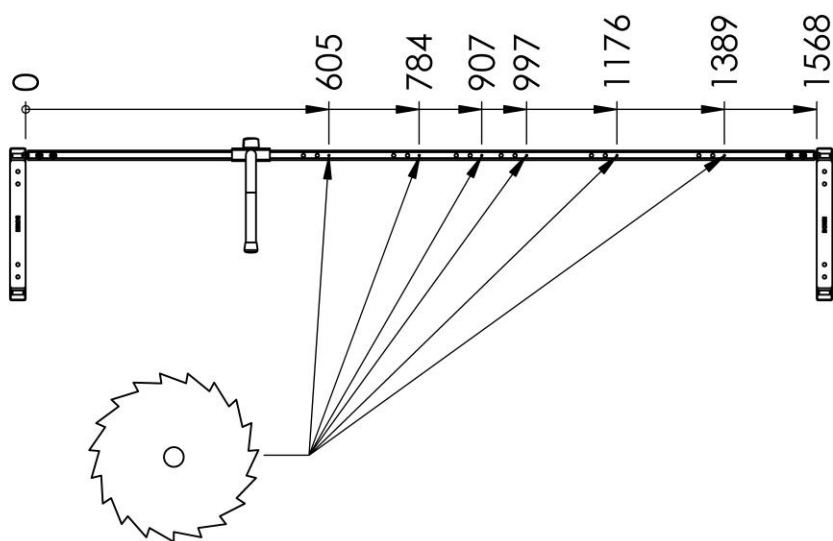
2



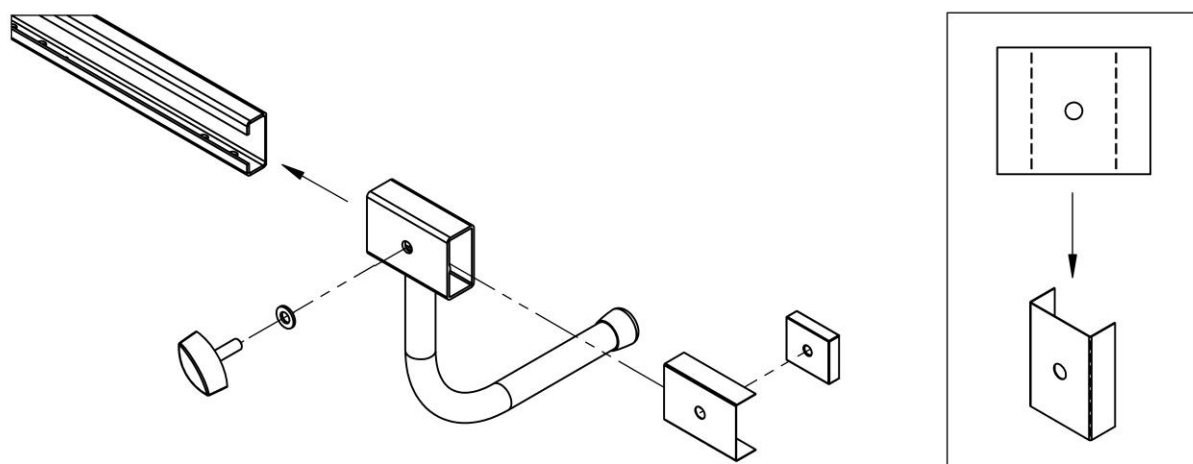
**SYSTEM**  
**EDSTRÖM**

# 2935 - CASE SUPPORT

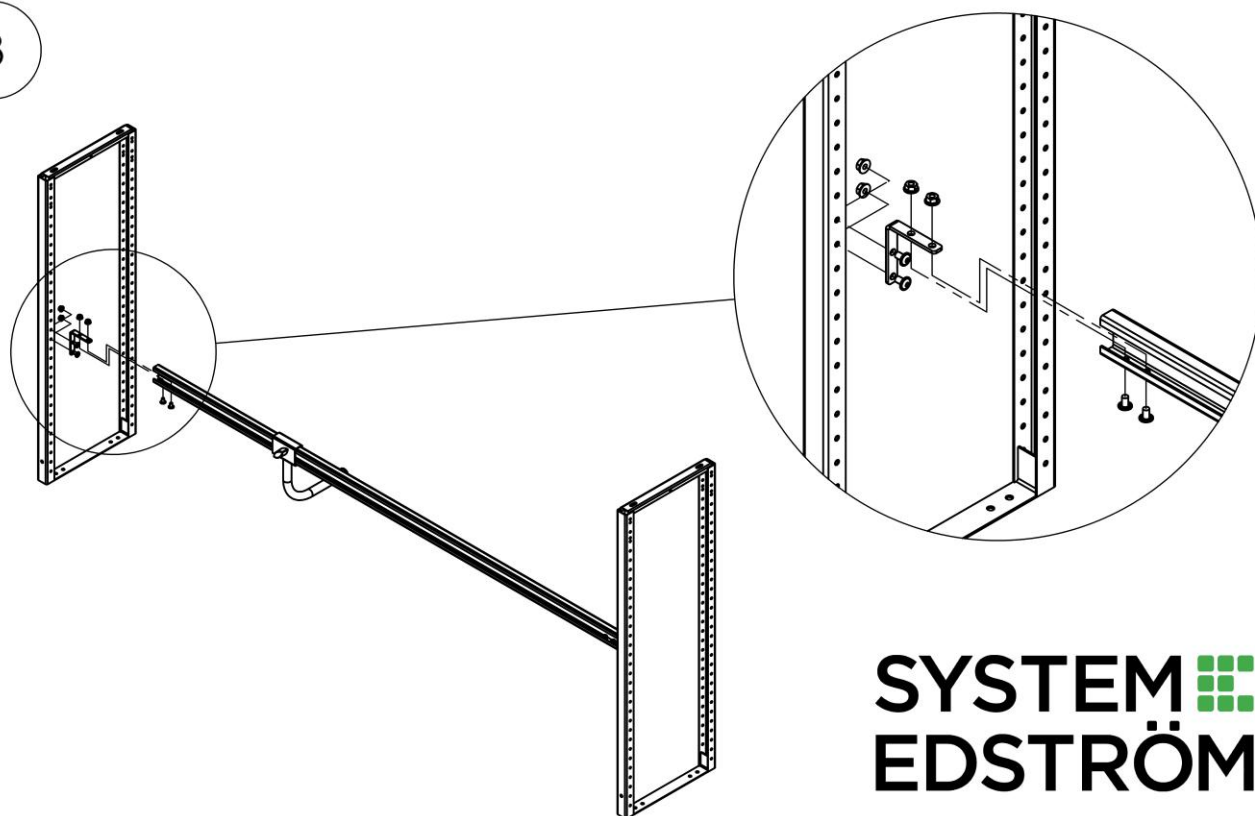
1



2



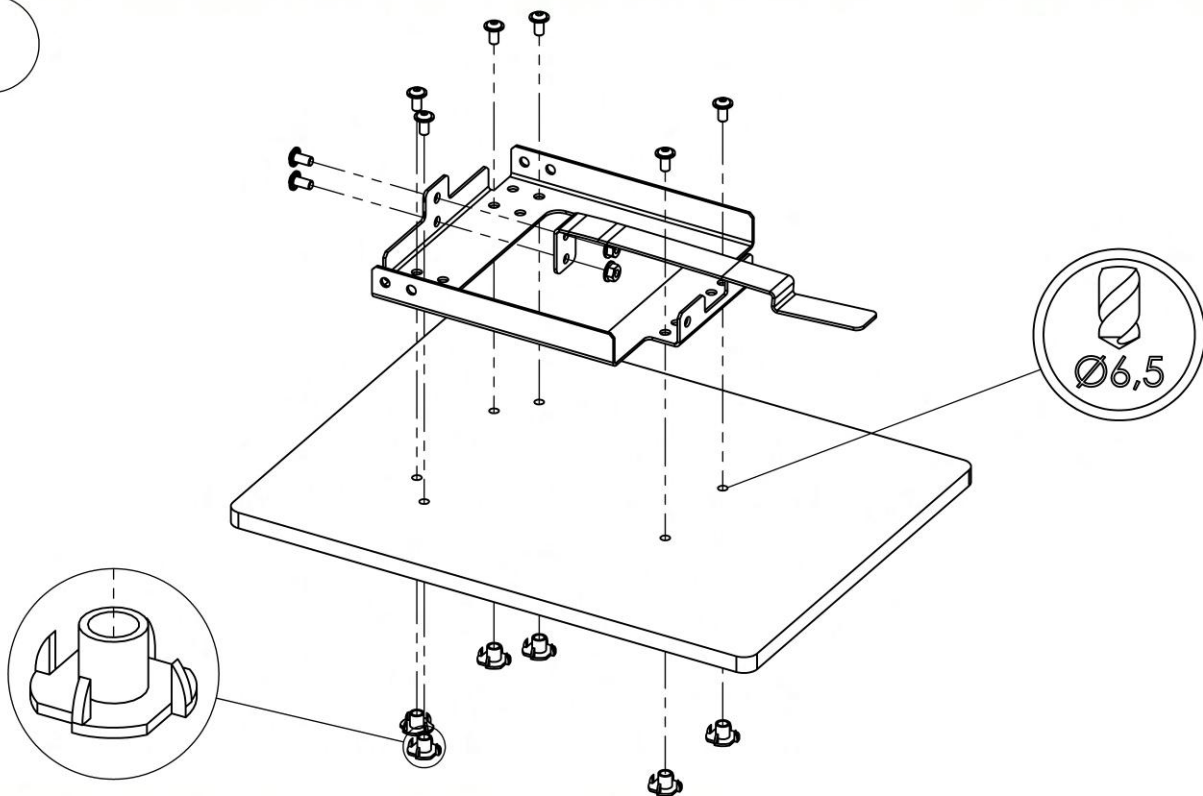
3



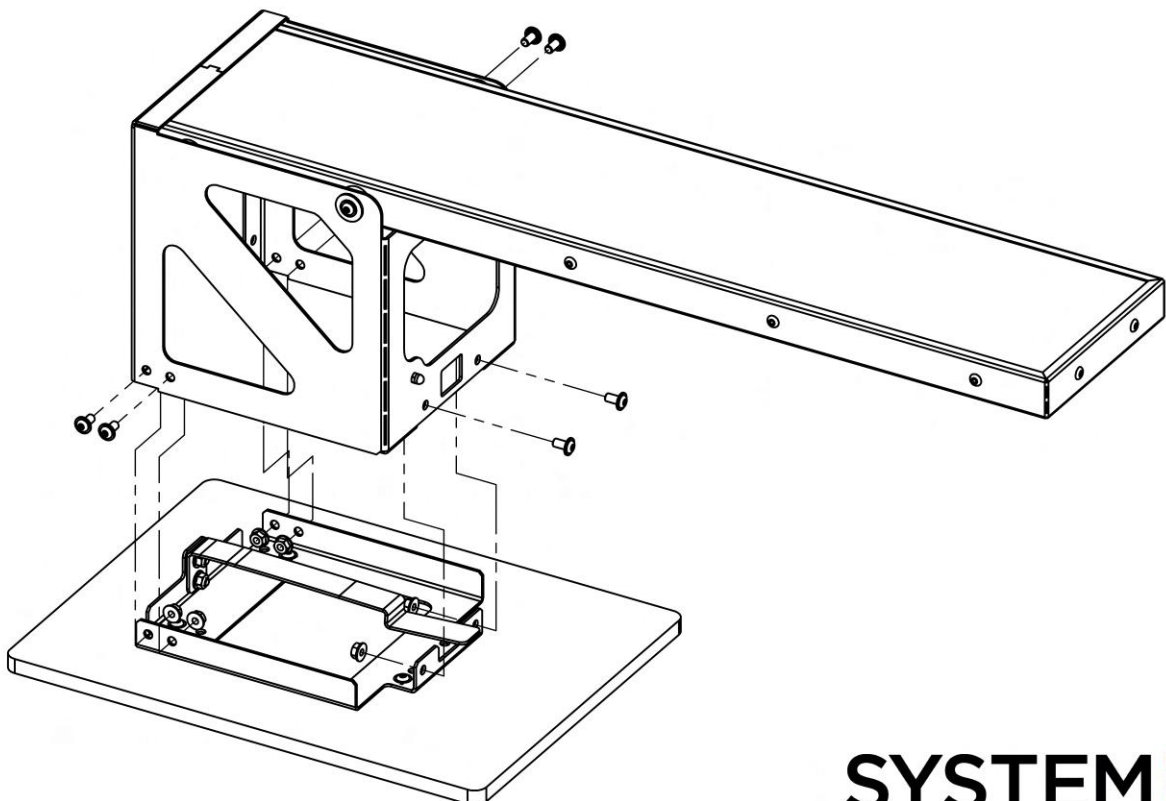
**SYSTEM**   
**EDSTRÖM**

## 2728 - FOLDABLE VICE HOLDER/BENCH TO FLOOR

1



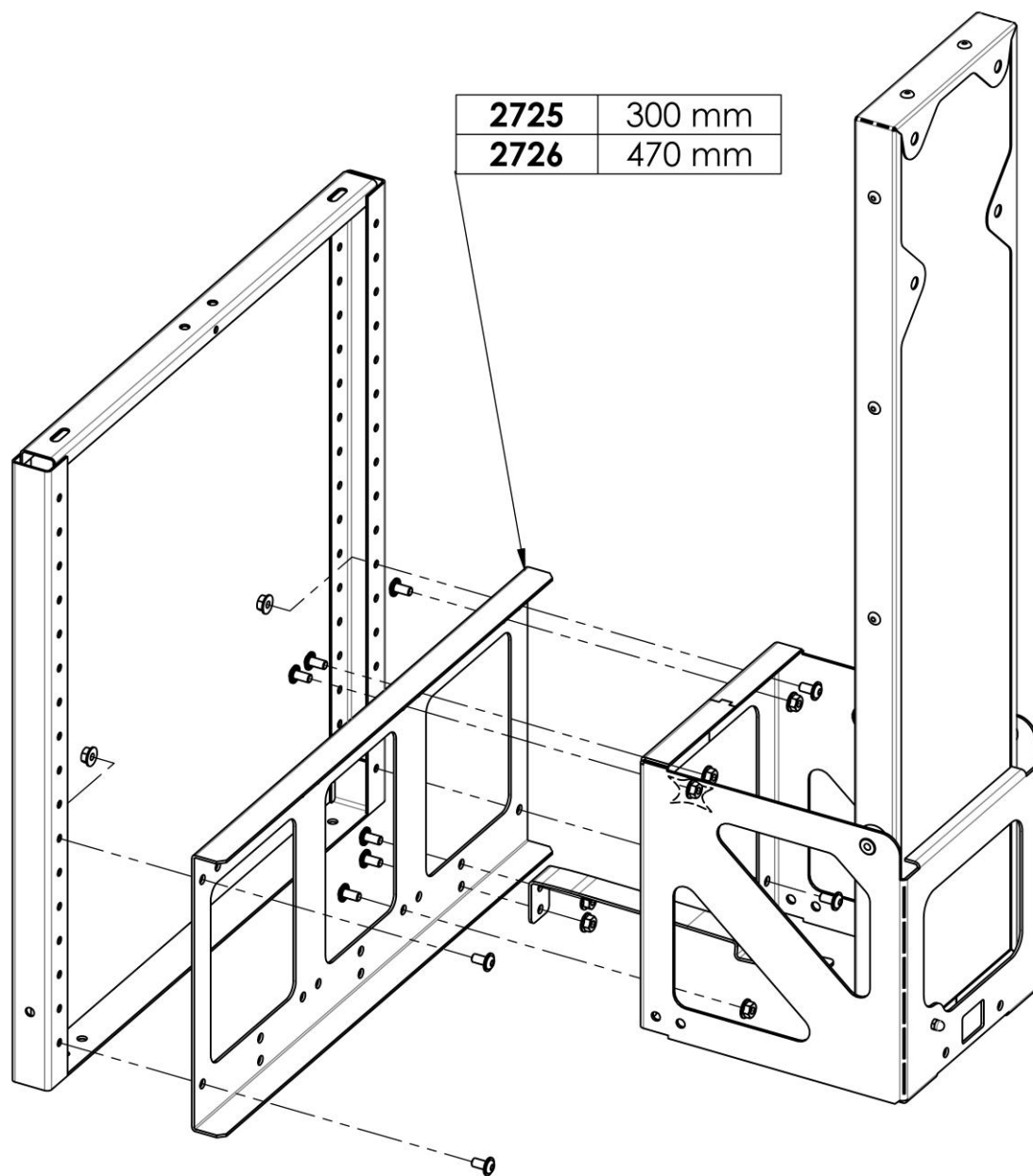
2



**SYSTEM**   
**EDSTRÖM**



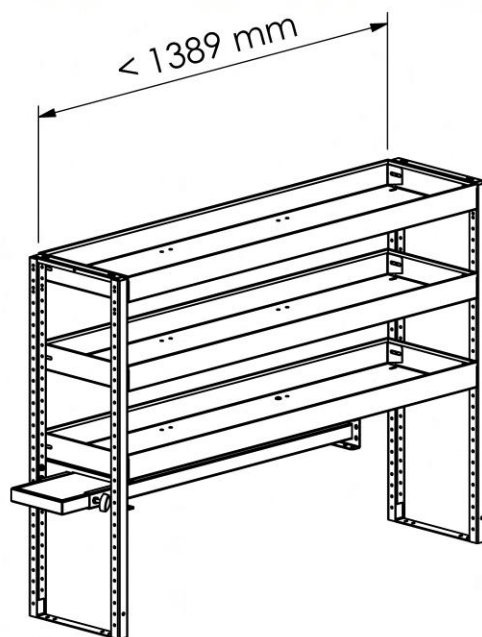
## 2728 - FOLDABLE VICE HOLDER/BENCH TO SHELF FRAME



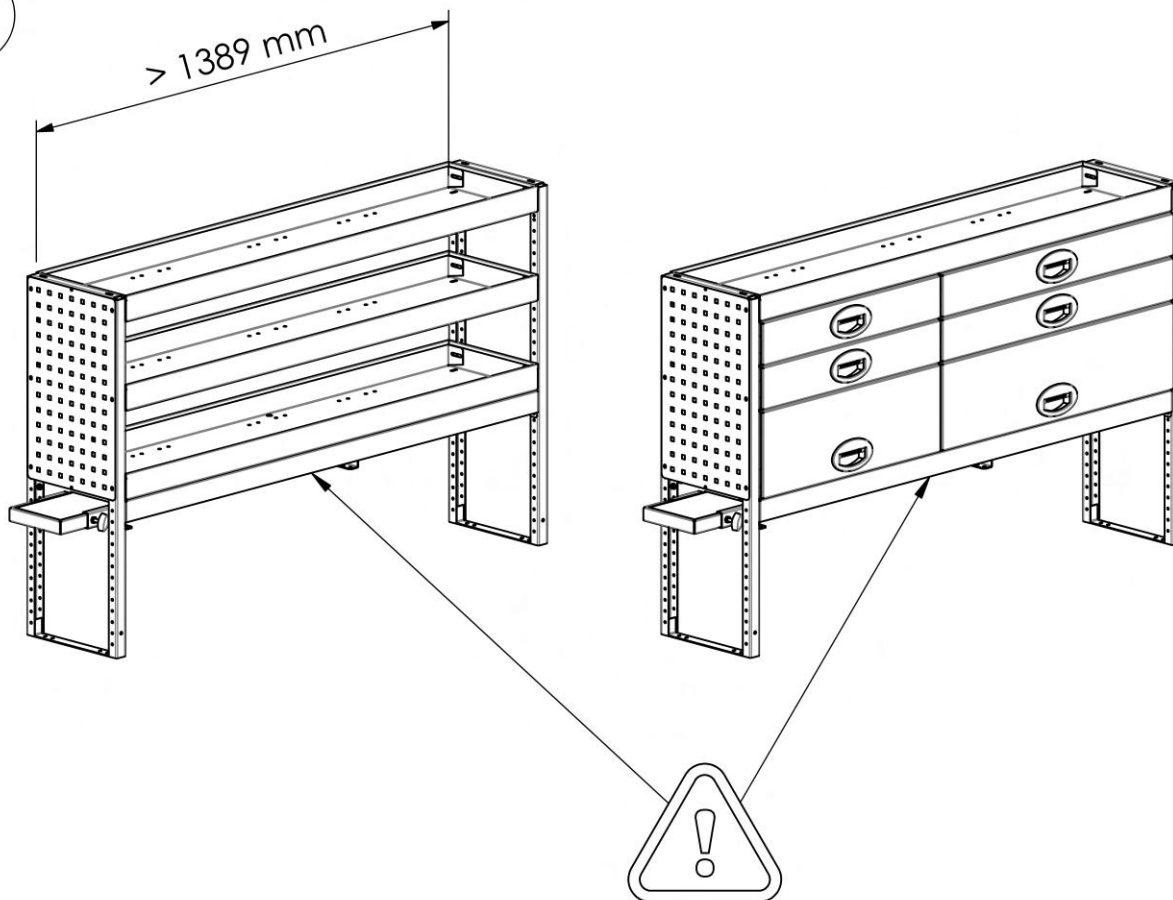
**SYSTEM**   
**EDSTRÖM**

## 2730 - EXTENDABLE VICE HOLDER/BENCH

A



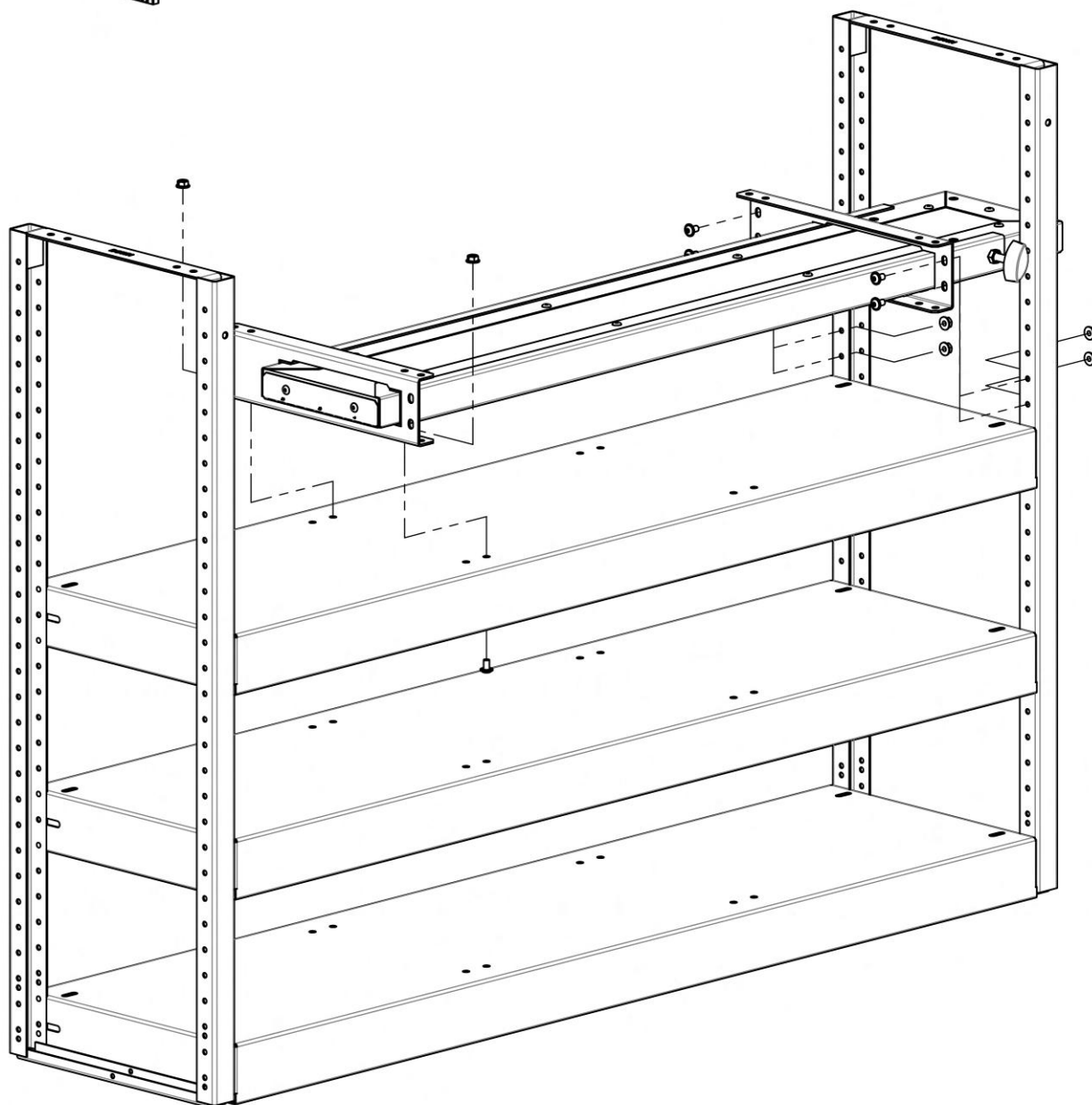
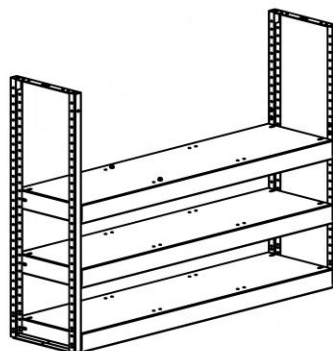
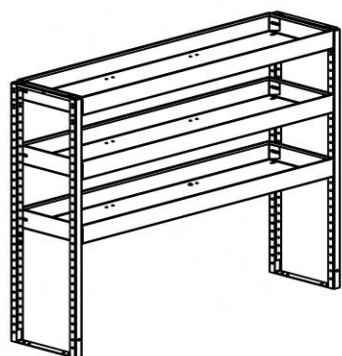
B



**SYSTEM**   
**EDSTRÖM**

## 2730 - EXTENDABLE VICE HOLDER/BENCH

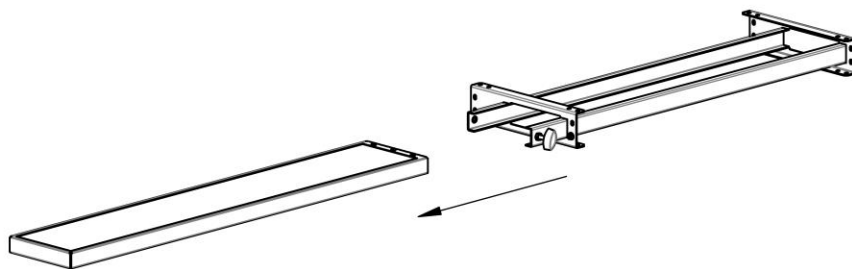
A1



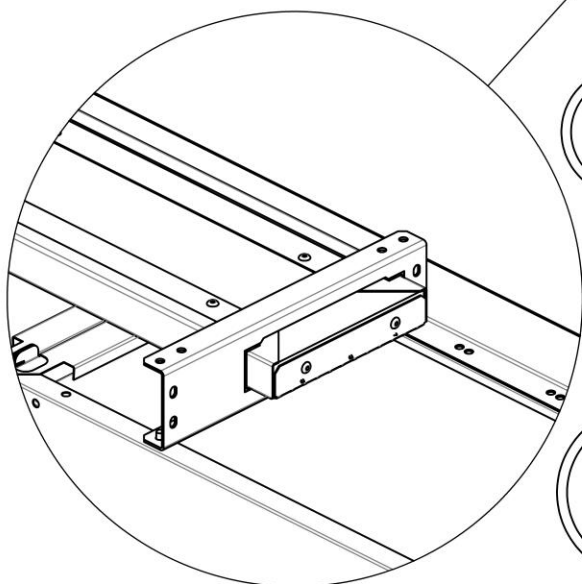
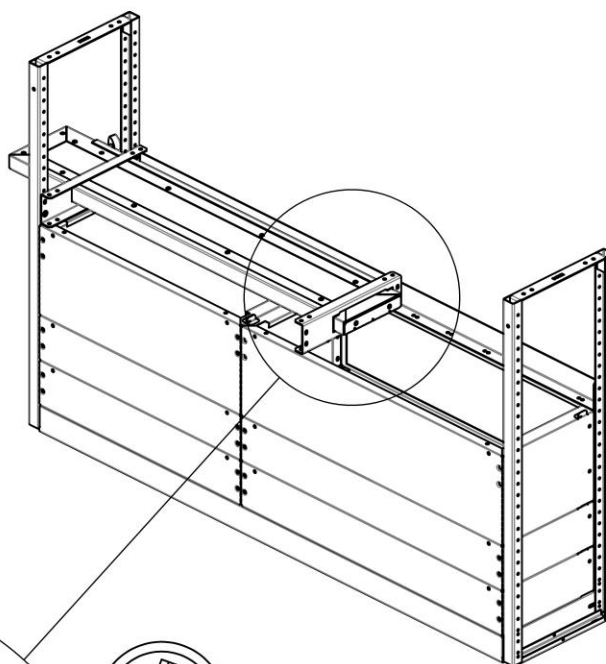
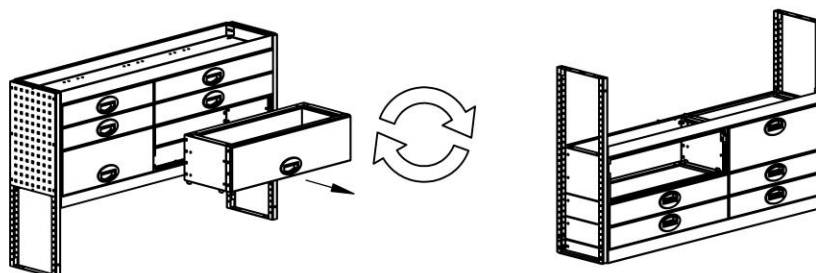
**SYSTEM**   
**EDSTRÖM**

# 2730 - EXTENDABLE VICE HOLDER/BENCH

B1



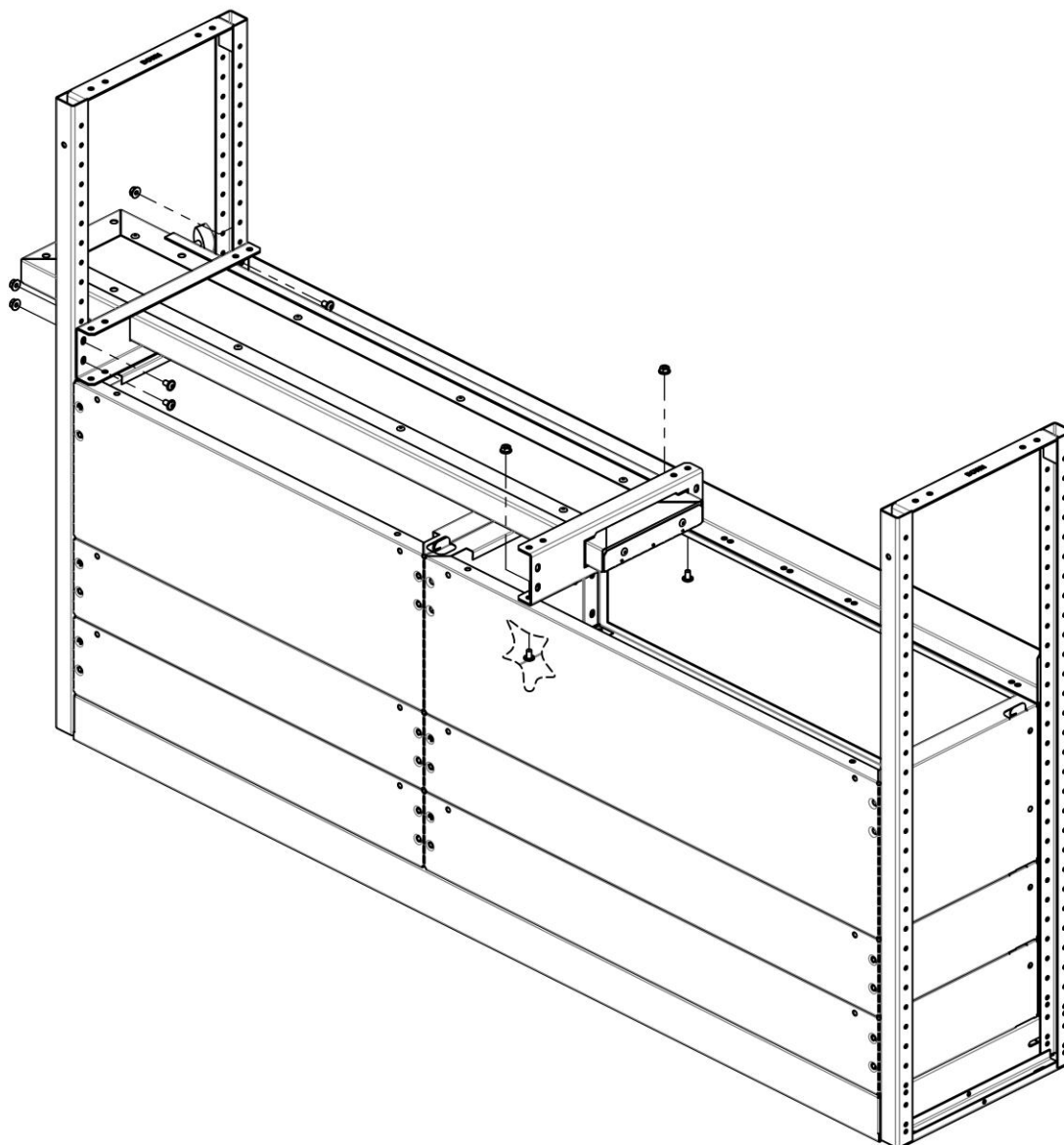
B2



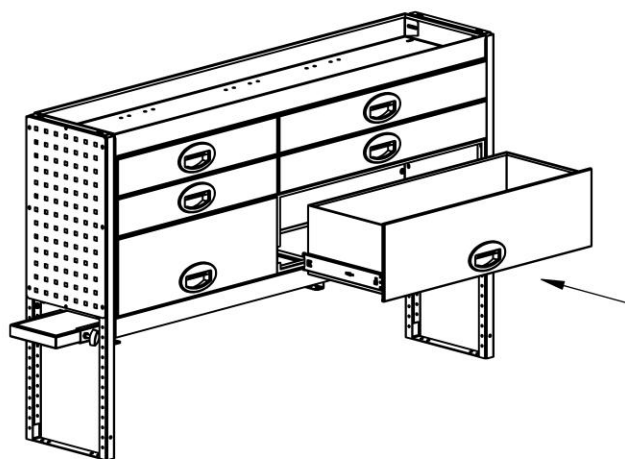
**SYSTEM**   
**EDSTRÖM**

## 2730 - EXTENDABLE VICE HOLDER/BENCH

B3

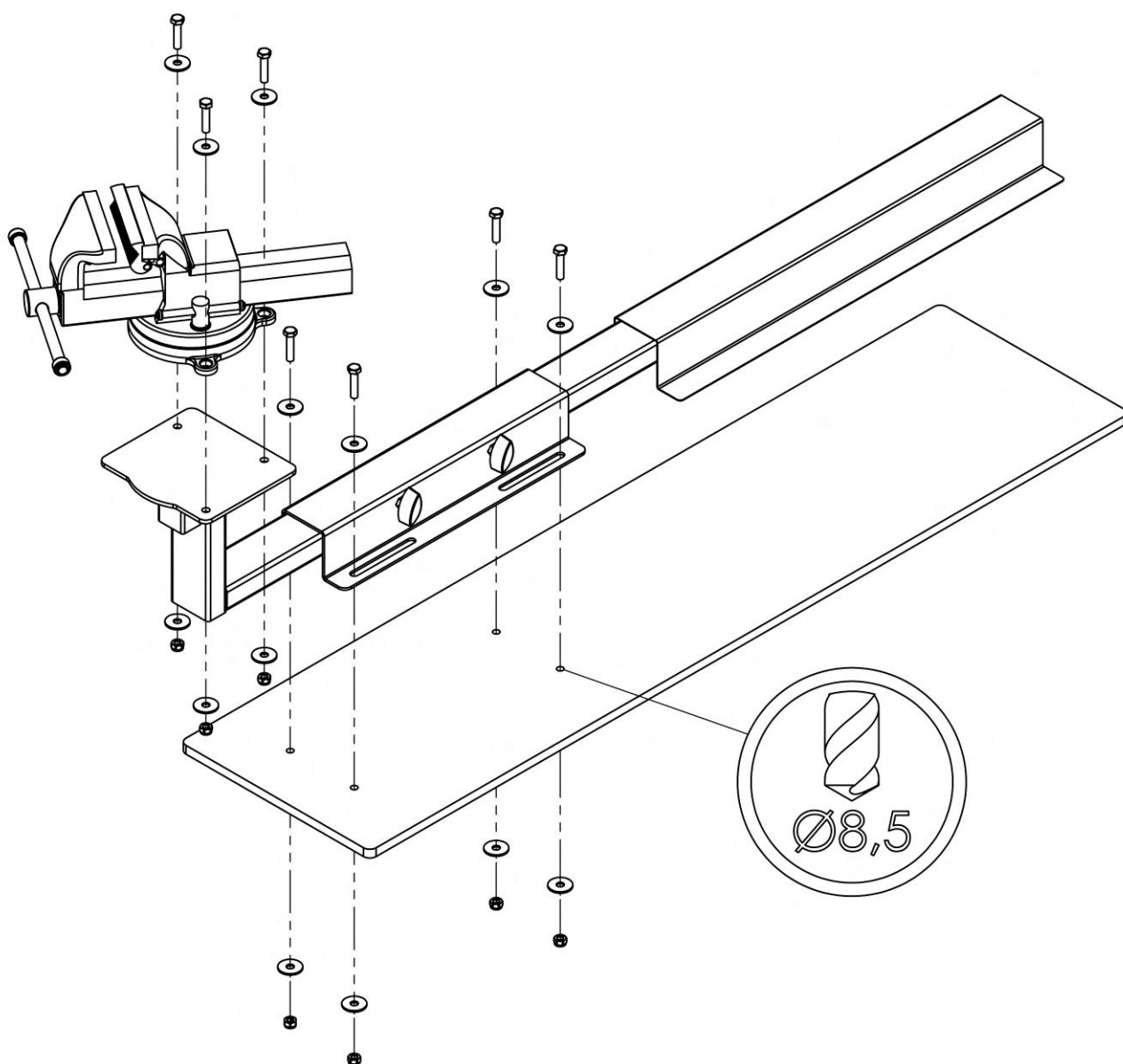


B4

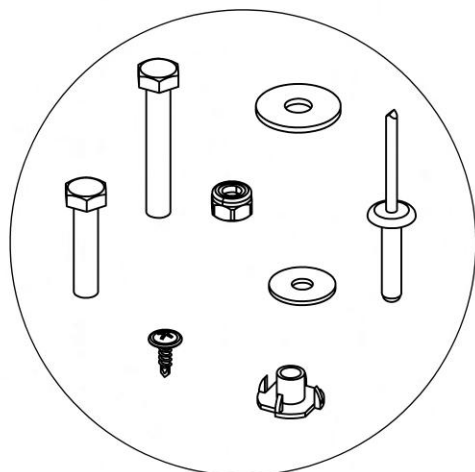


**SYSTEM**   
**EDSTRÖM**

# 5012, 5013 - VICE HOLDER

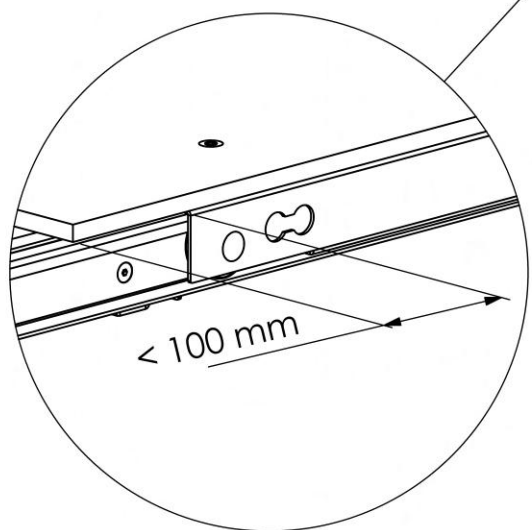
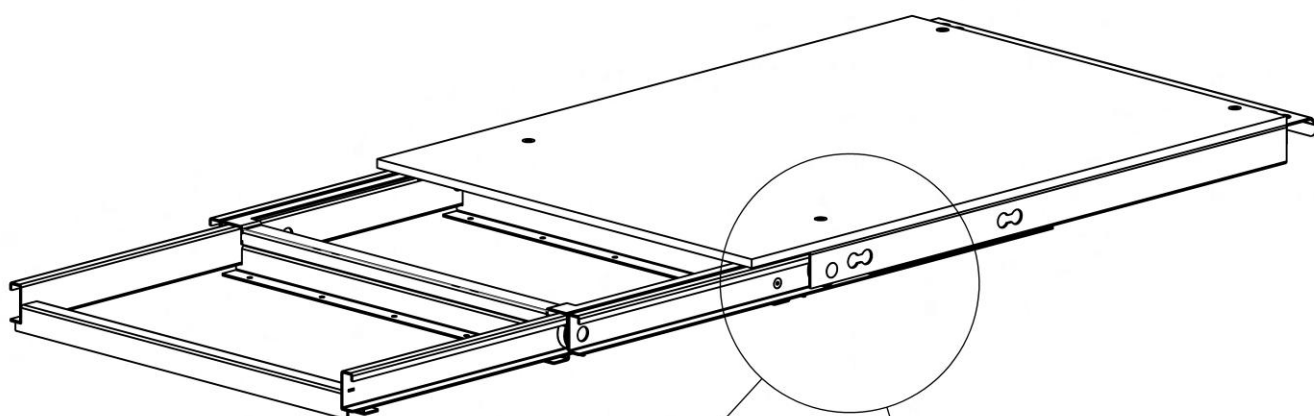


5510

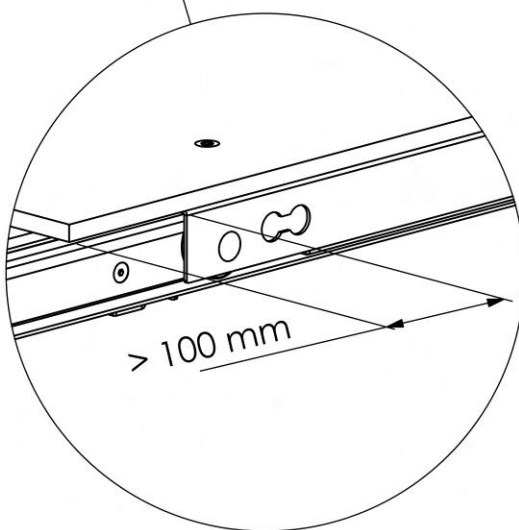


**SYSTEM**   
**EDSTRÖM**

## SLIDING PLATFORM 300-CHASSIS



A

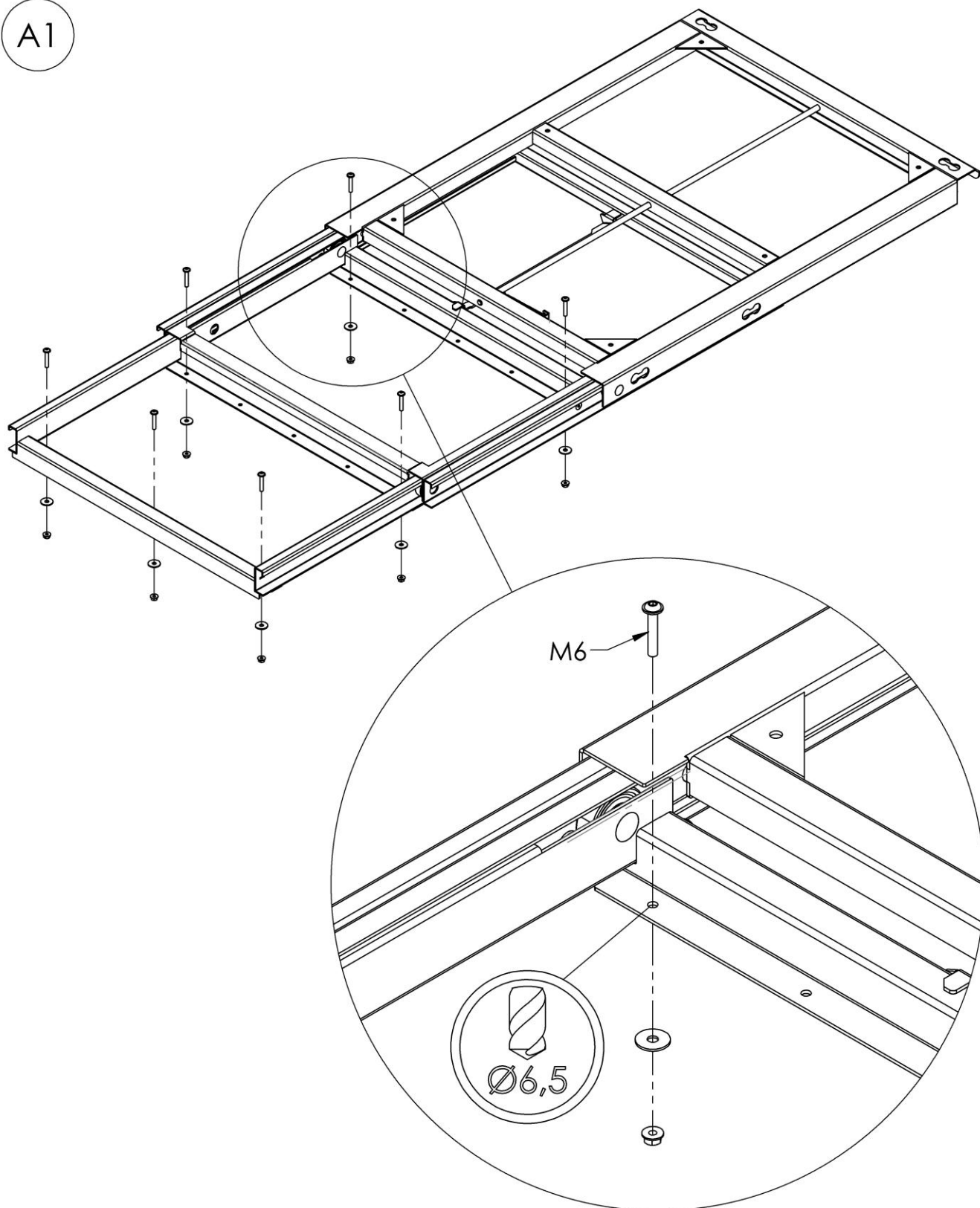


B

**SYSTEM**   
**EDSTRÖM**

# SLIDING PLATFORM 300-CHASSIS

A1

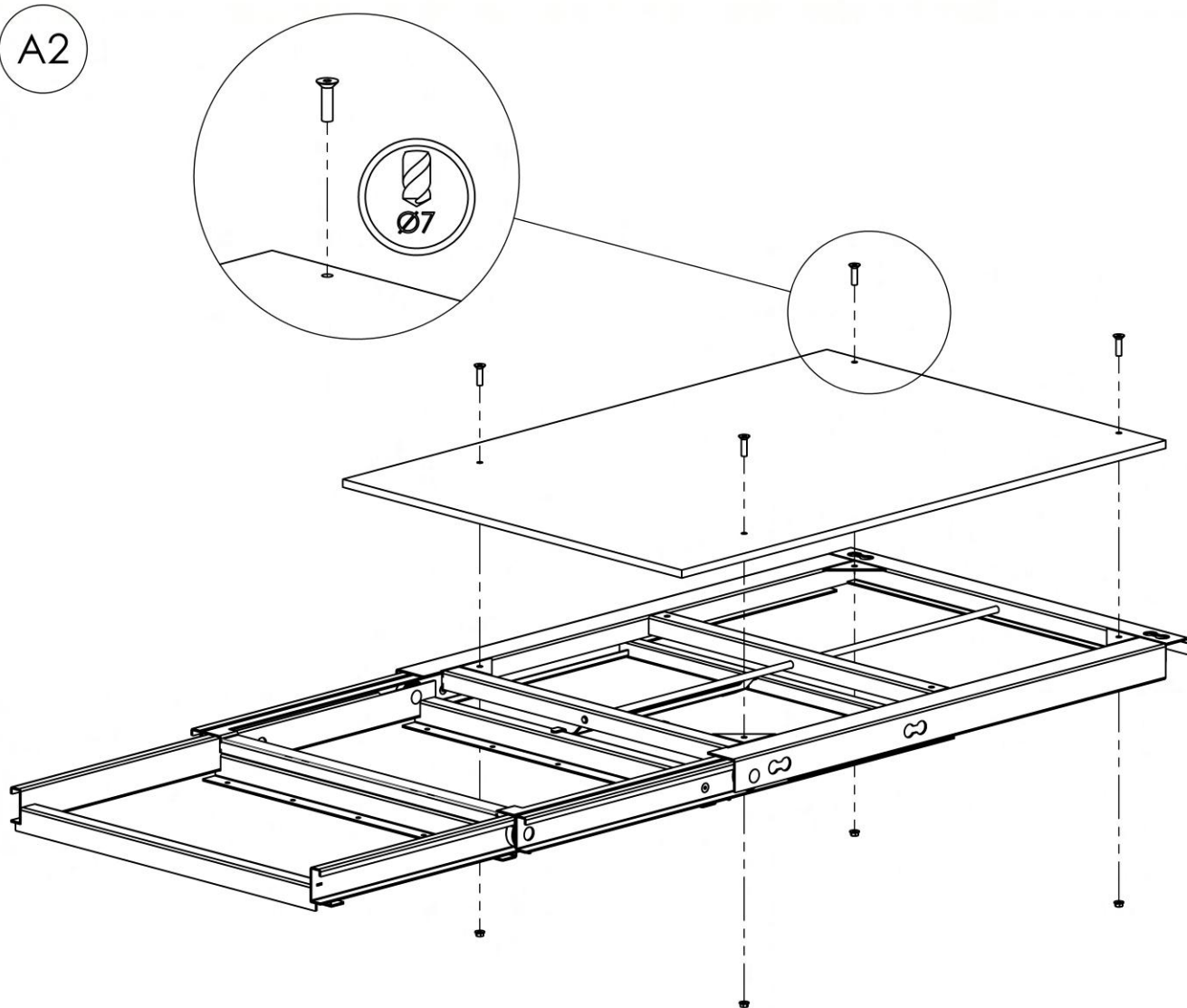


**SYSTEM**   
**EDSTRÖM**



## SLIDING PLATFORM 300-CHASSIS

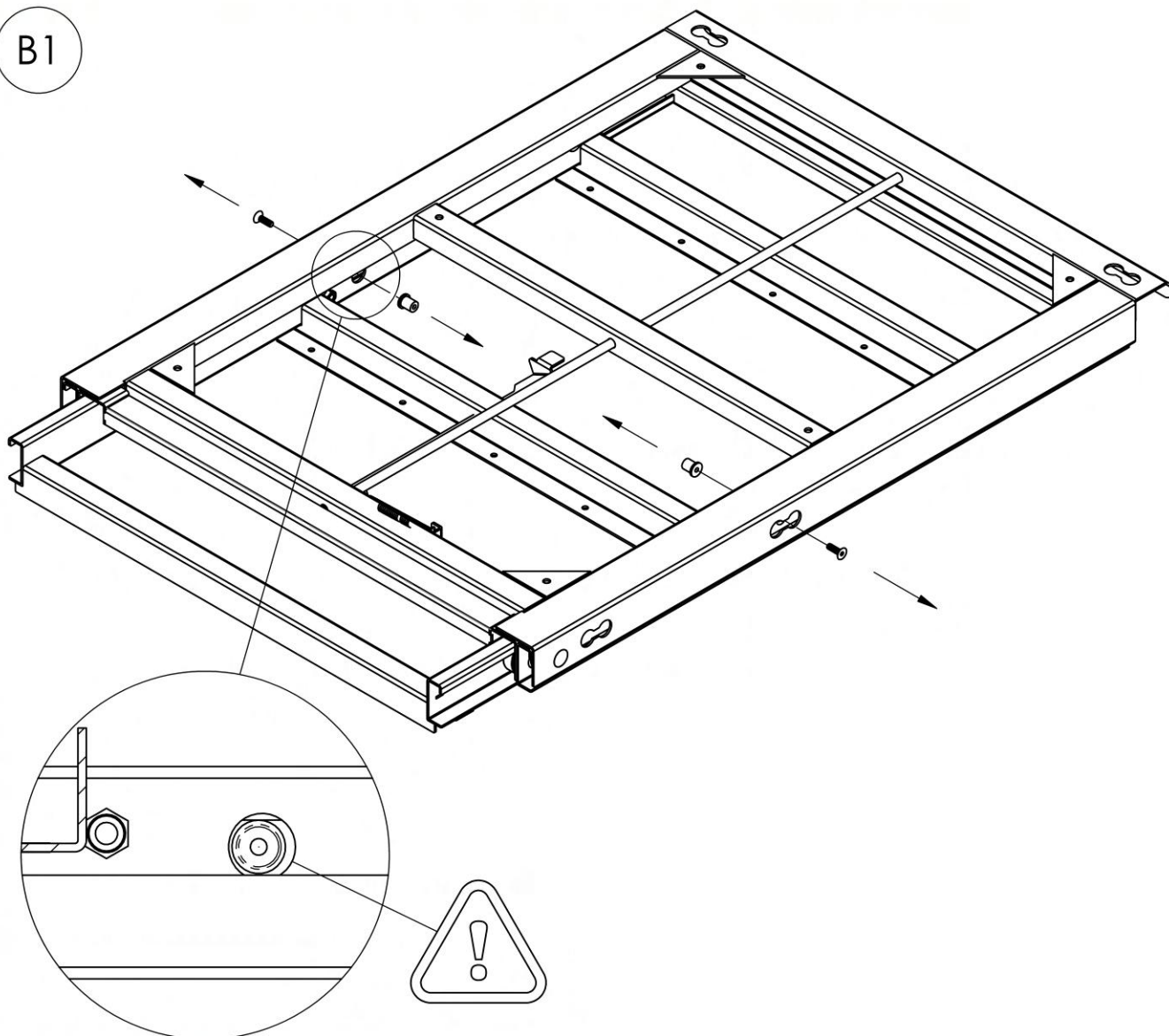
A2



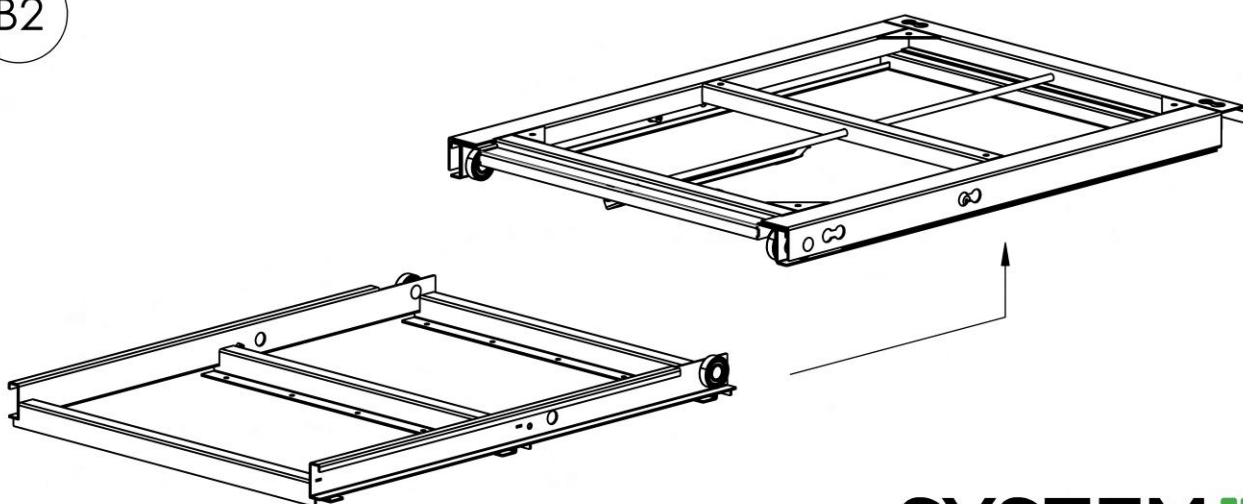
**SYSTEM**   
**EDSTRÖM**

# SLIDING PLATFORM 300-CHASSIS

B1



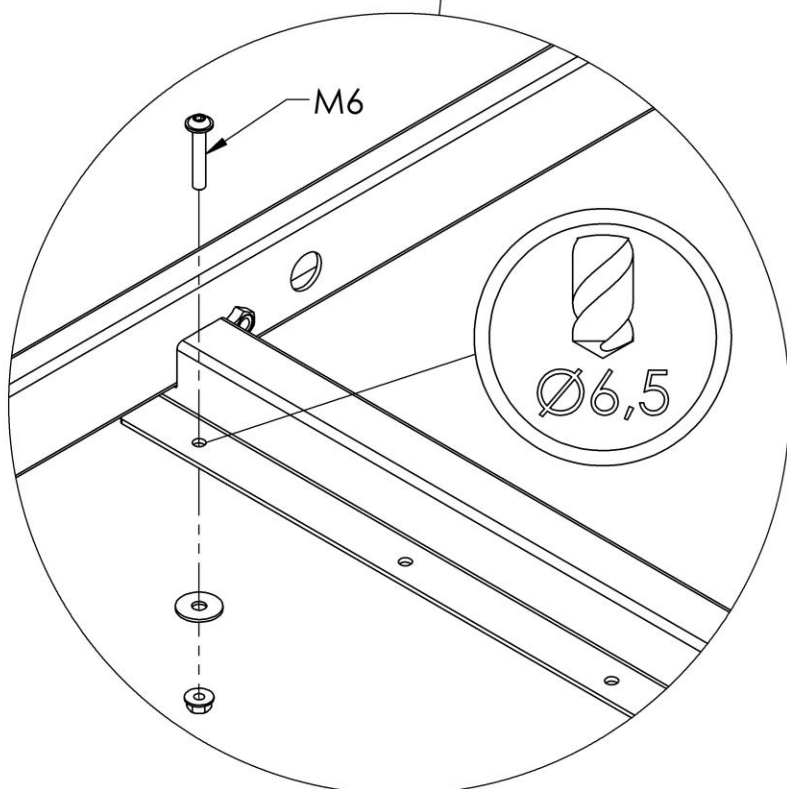
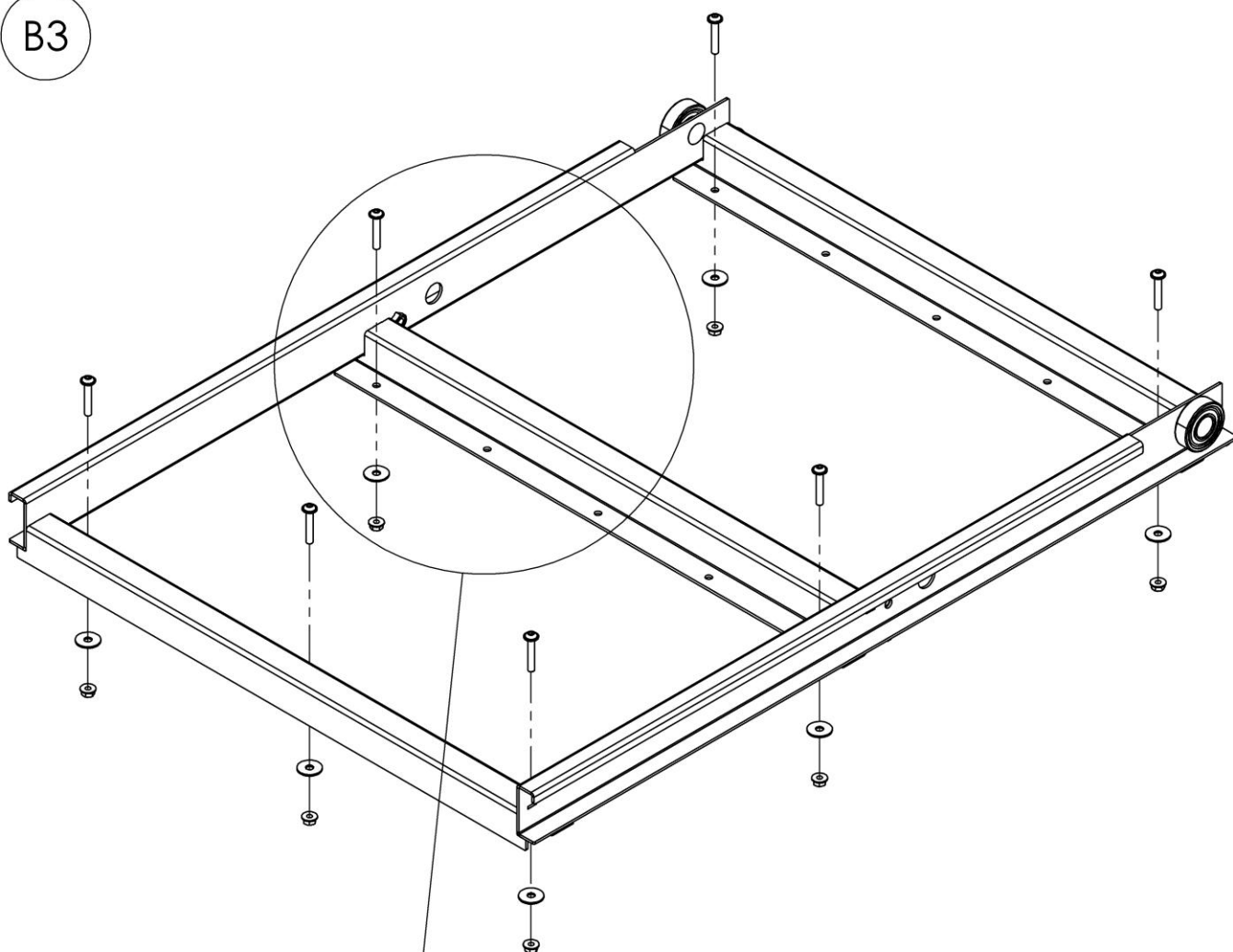
B2



**SYSTEM**   
**EDSTRÖM**

# SLIDING PLATFORM 300-CHASSIS

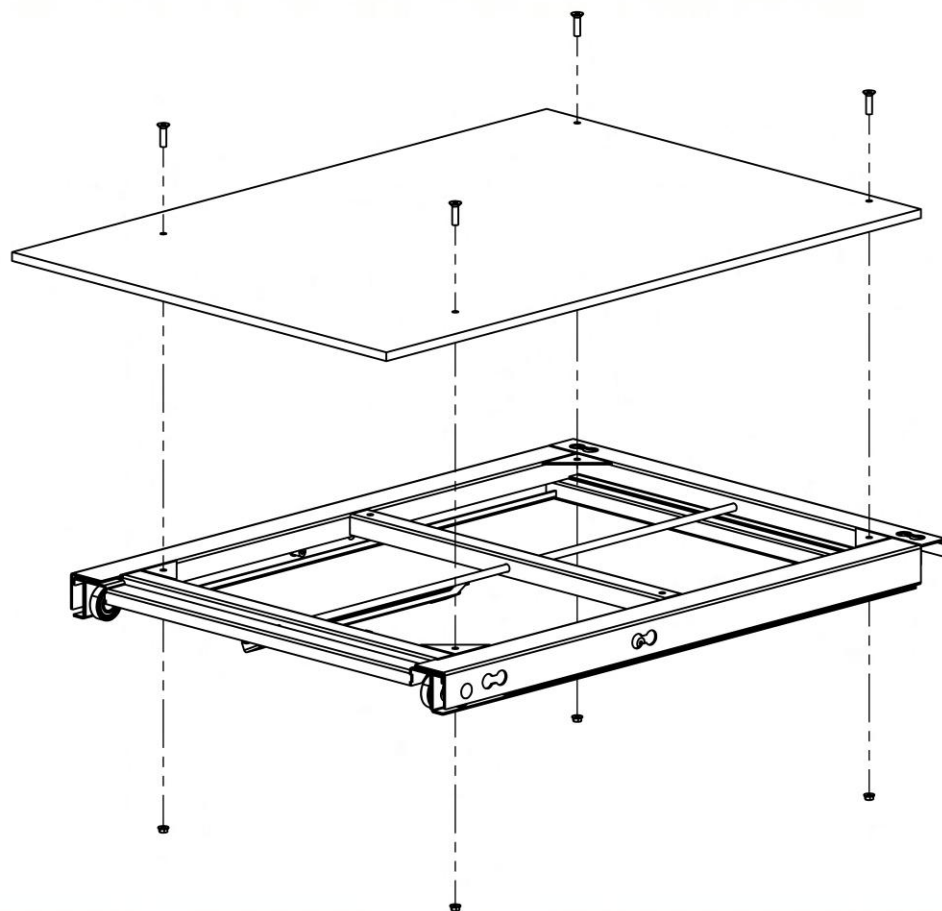
B3



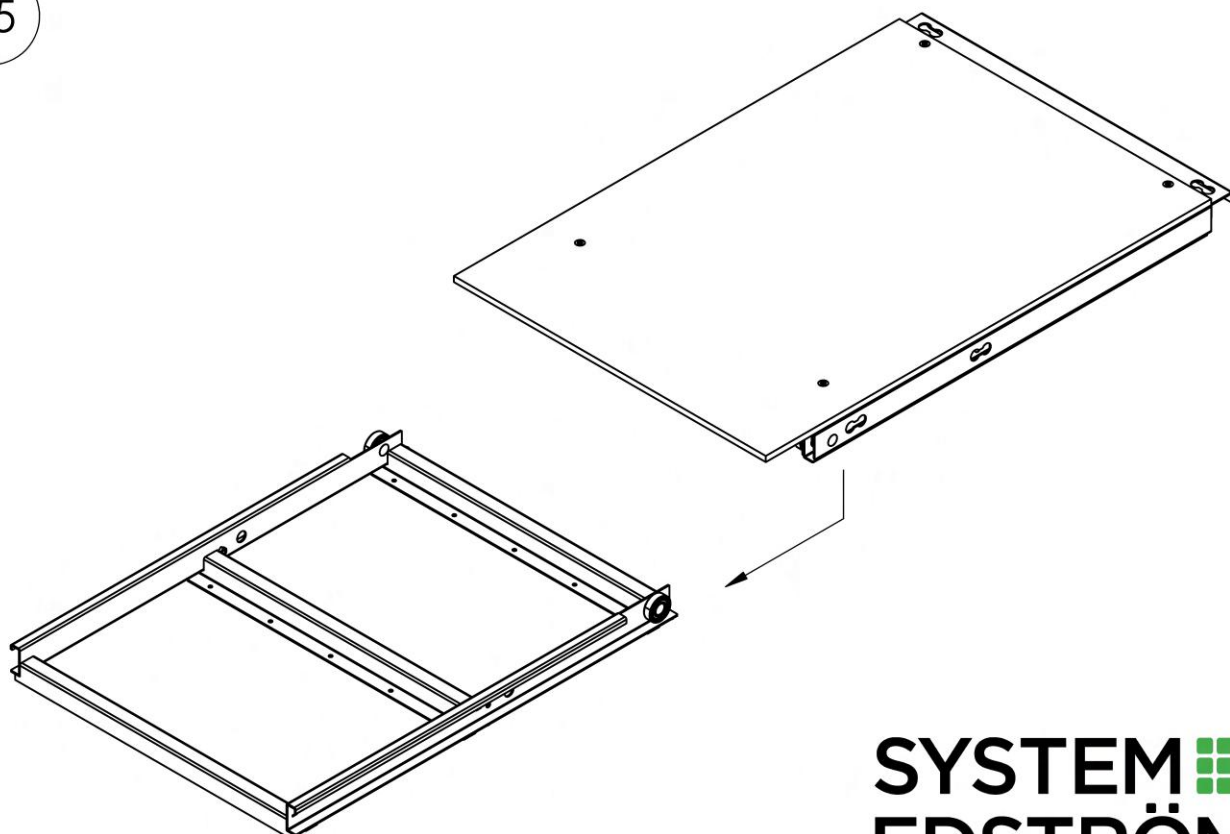
**SYSTEM**   
**EDSTRÖM**

## SLIDING PLATFORM 300-CHASSIS

B4



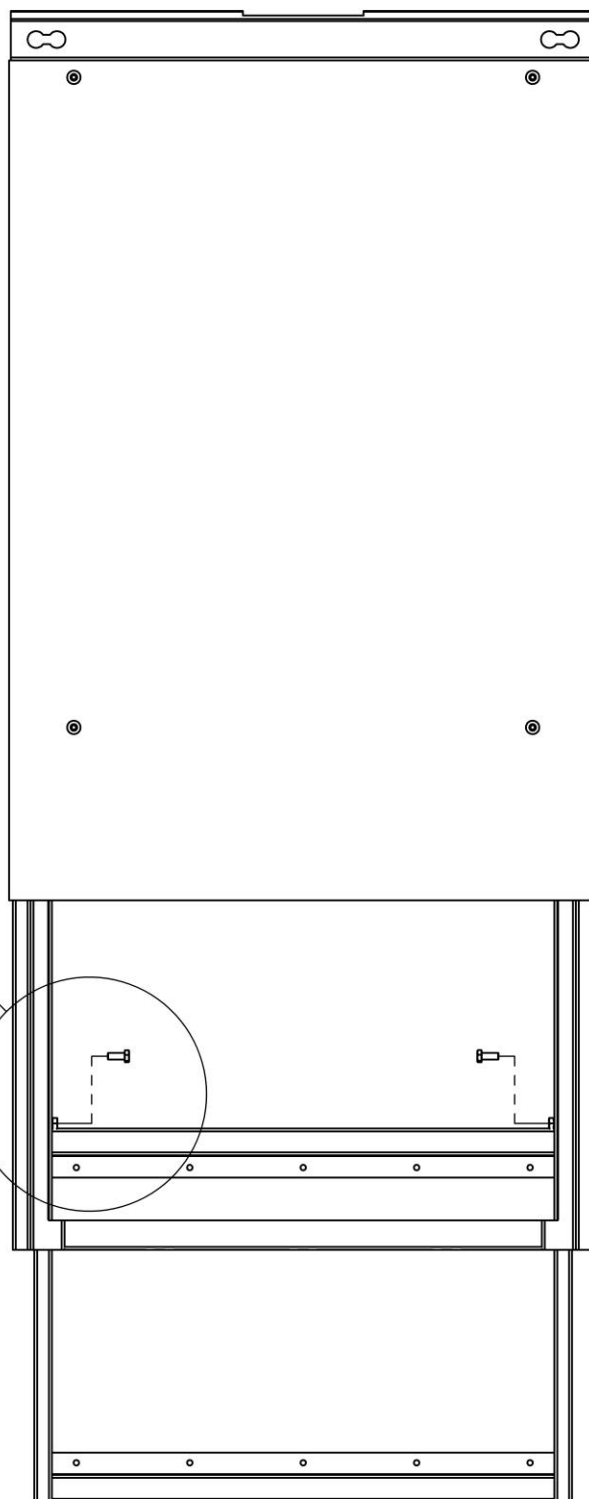
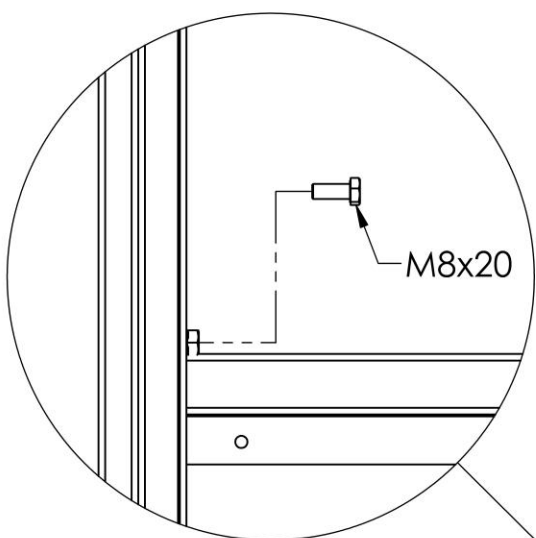
B5



**SYSTEM**   
**EDSTRÖM**

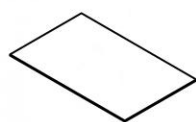
# SLIDING PLATFORM 300-CHASSIS

B6



**SYSTEM**   
**EDSTRÖM**

# FRAME FOR SLIDING PLATFORM



x1



x3



x2



x1

M6x10



x8

M6x30



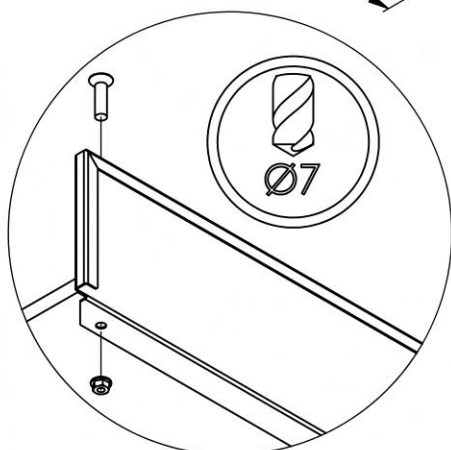
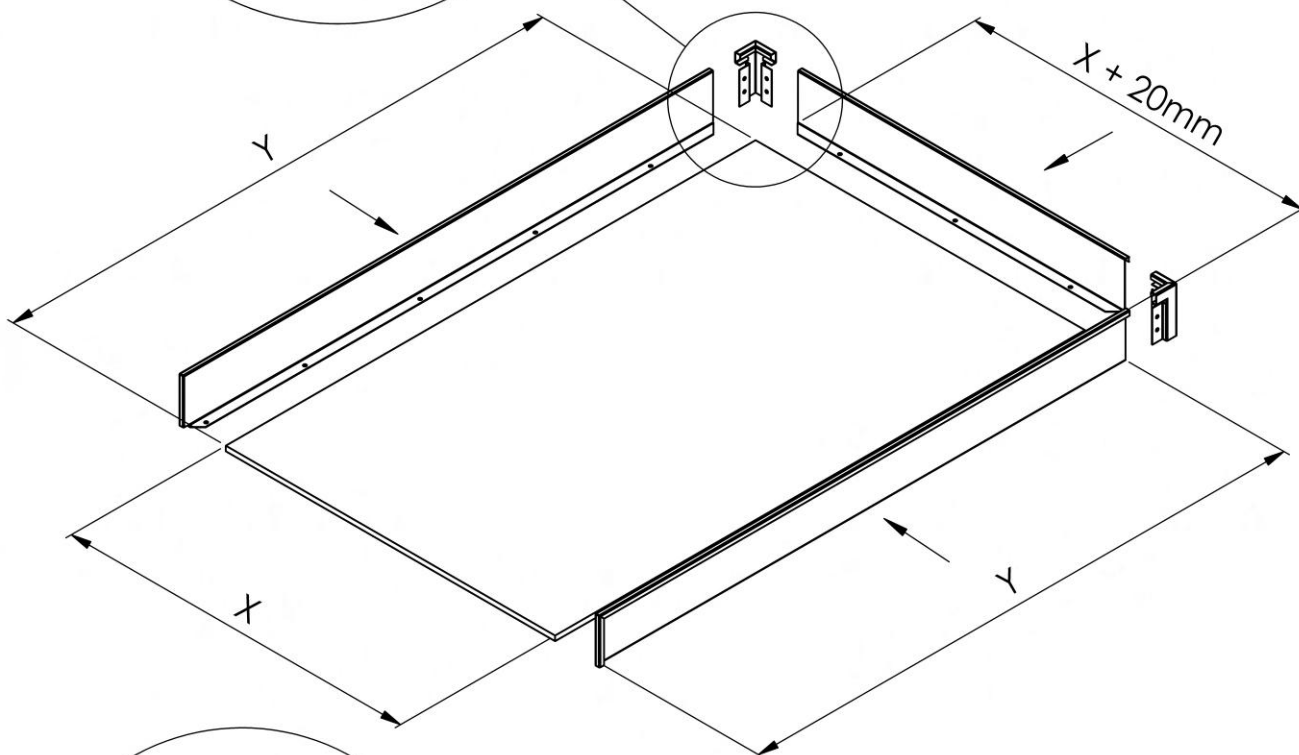
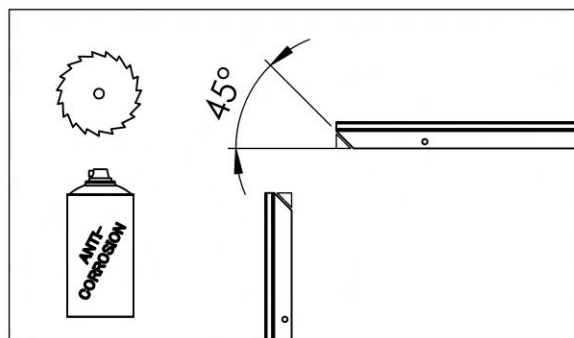
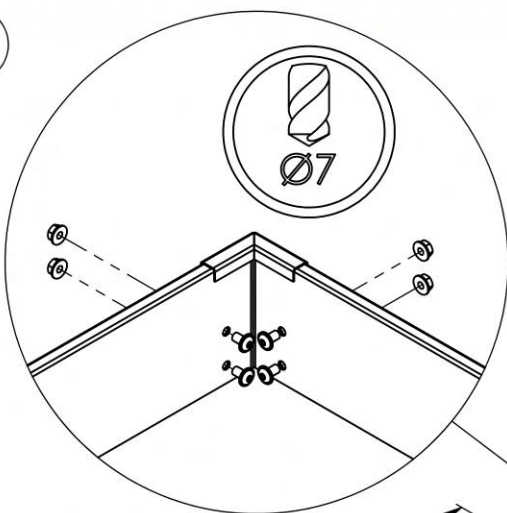
-

M6



-

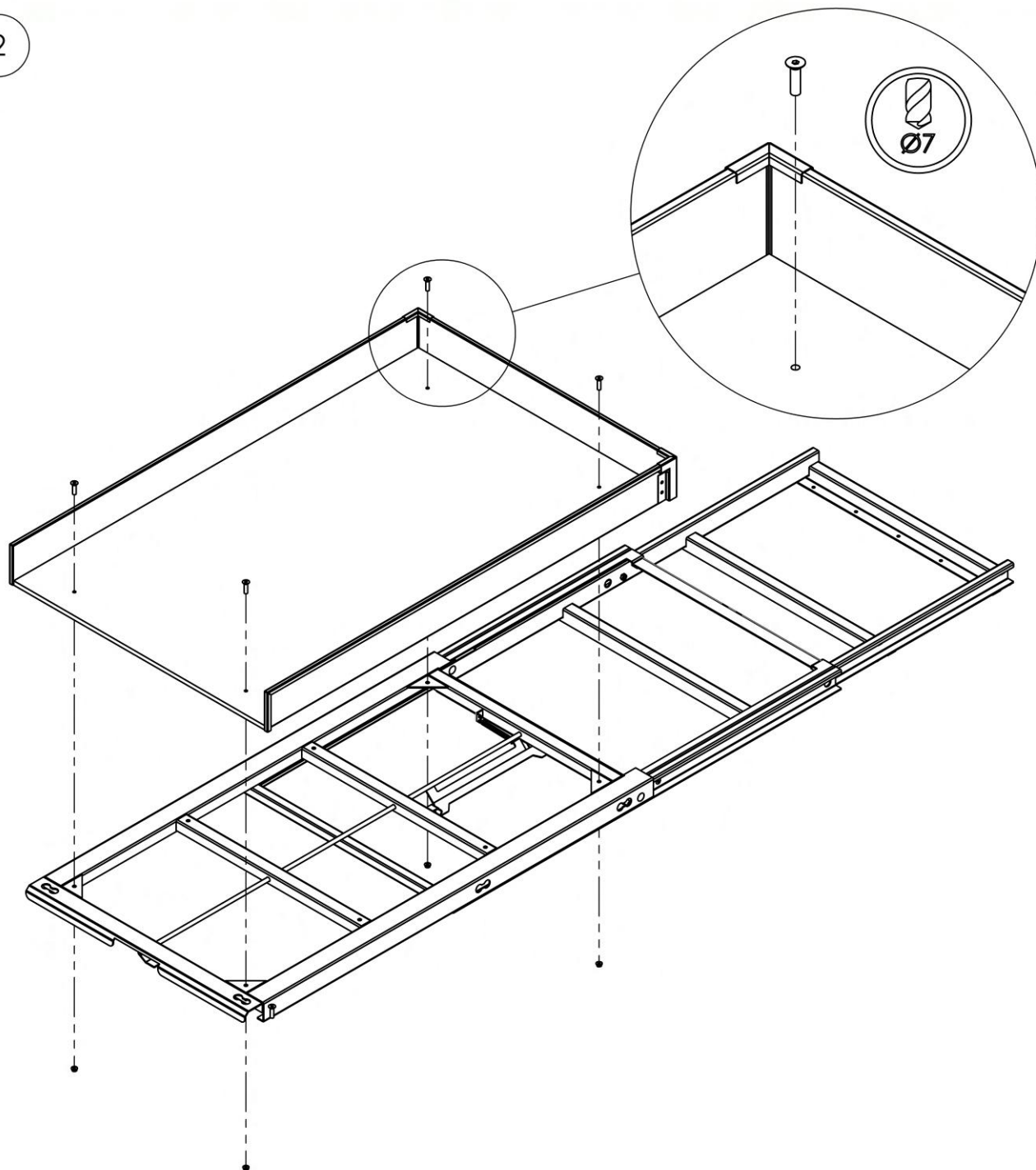
1



**SYSTEM**   
**EDSTRÖM**

# FRAME FOR SLIDING PLATFORM

2

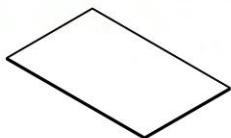


**SYSTEM**   
**EDSTRÖM**

# AIRLINE TRACK FOR SLIDING PLATFORM



x4



x1



x1

4,5x12



-

M6x30



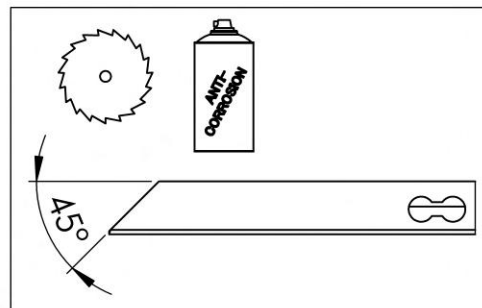
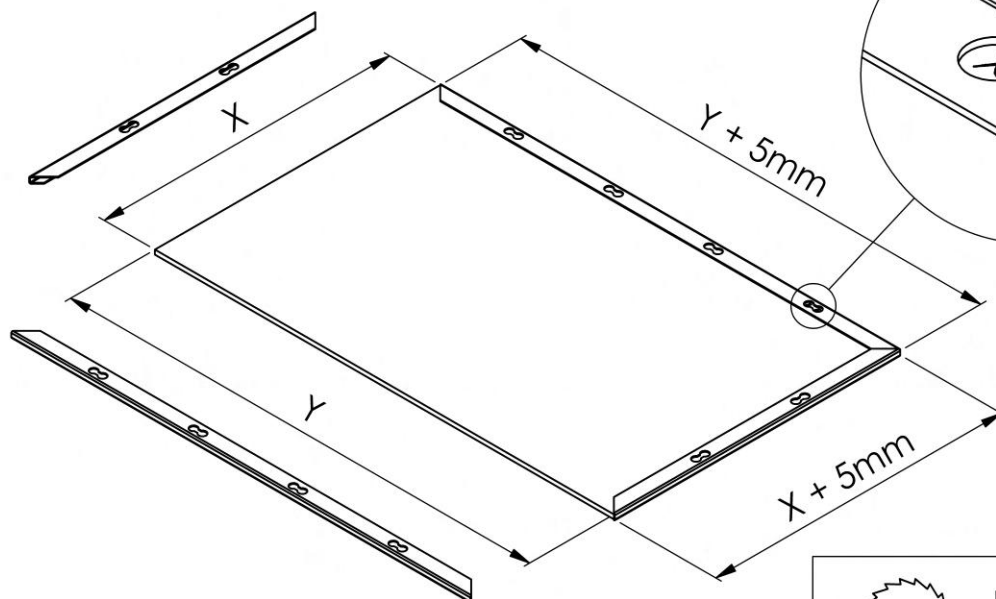
-

M6

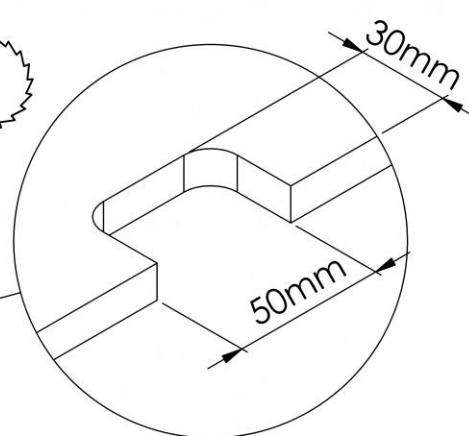
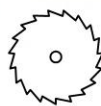
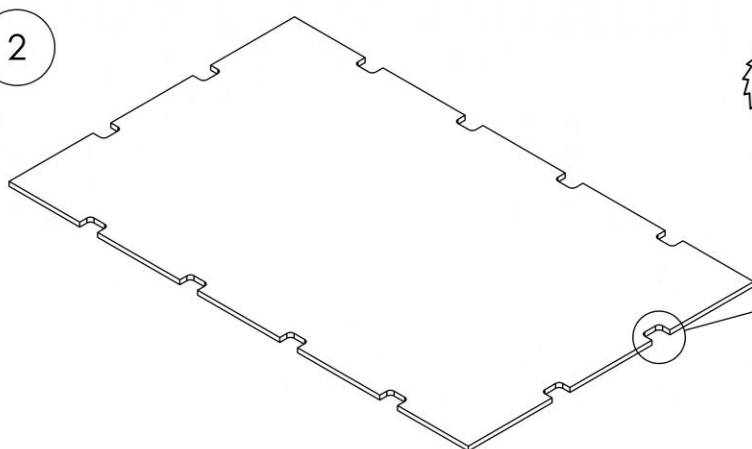


-

1



2

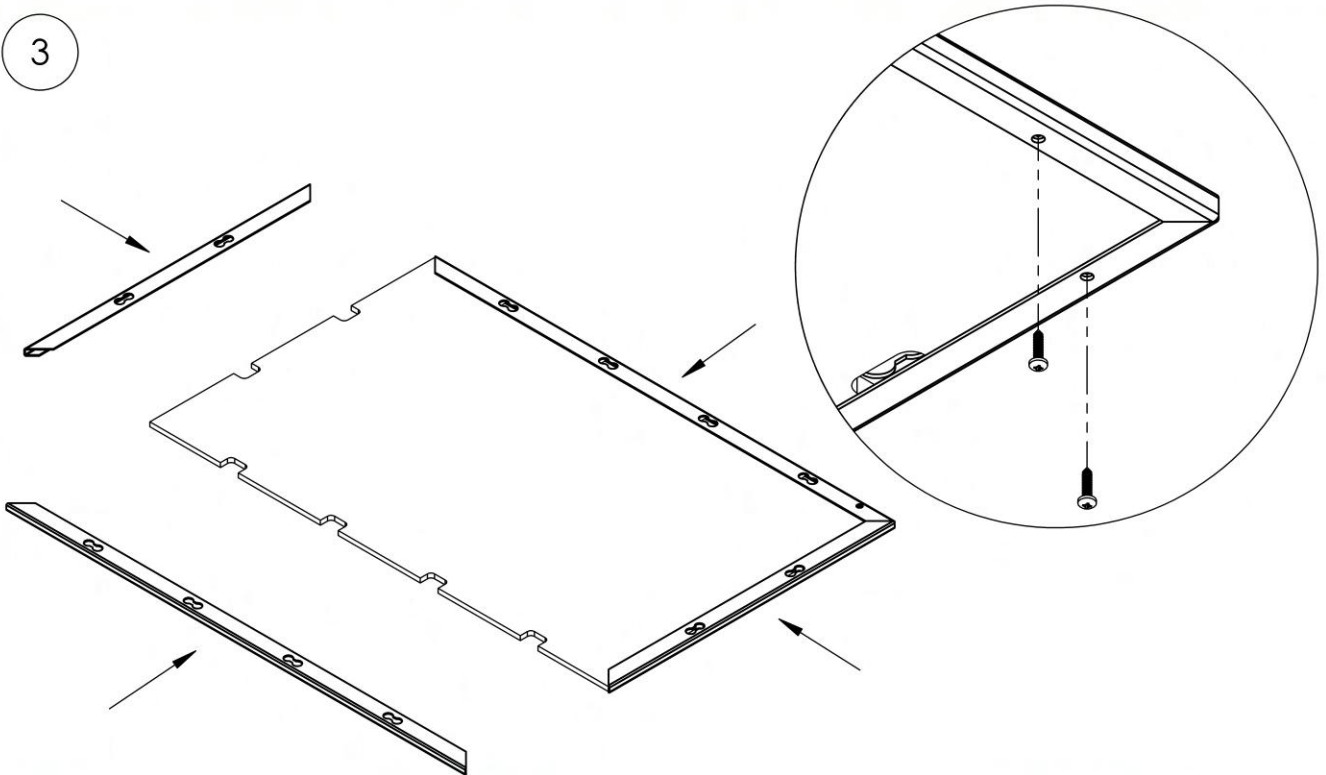


**SYSTEM**  
**EDSTRÖM**

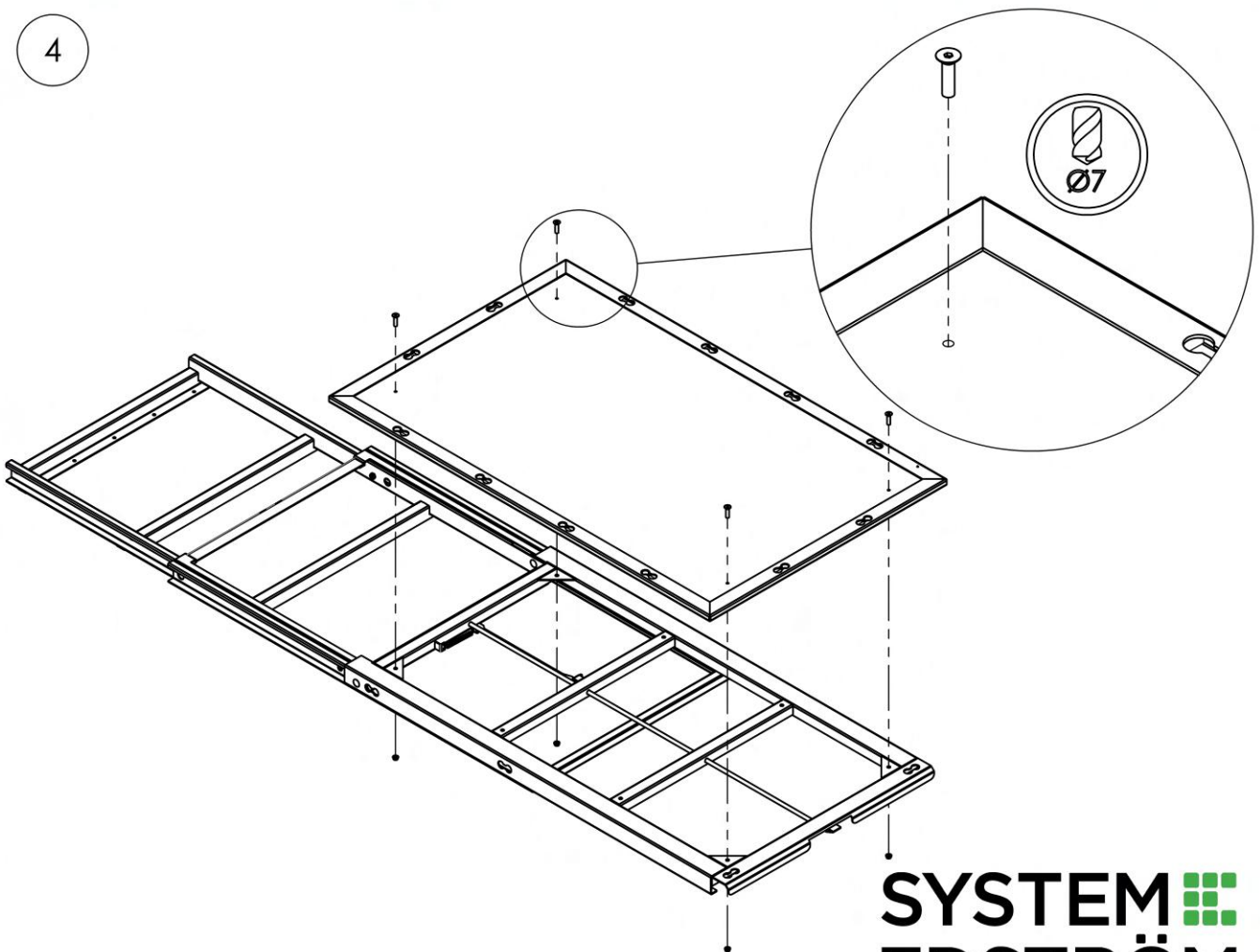


# AIRLINE TRACK FOR SLIDING PLATFORM

3

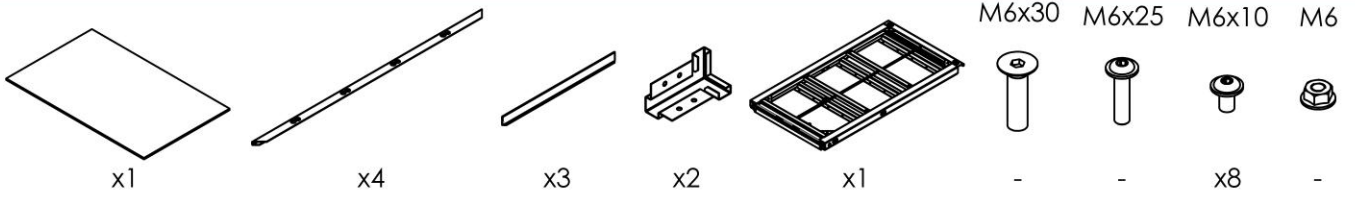


4

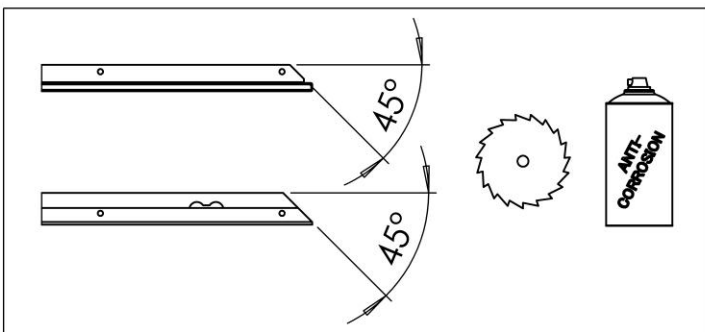
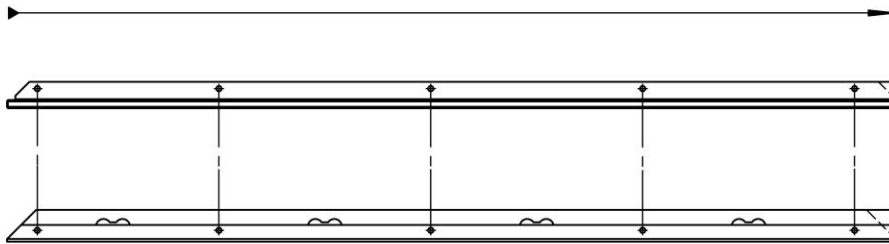
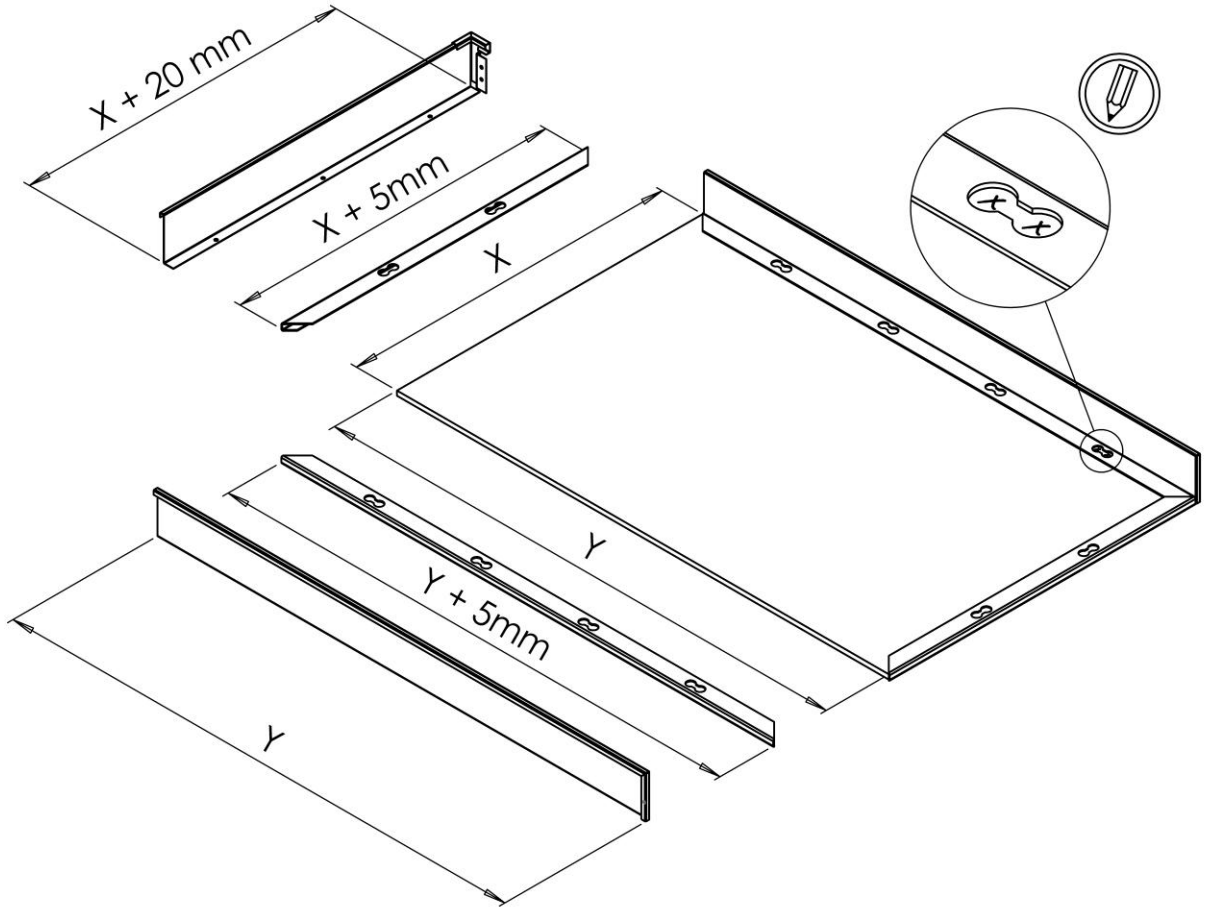


**SYSTEM**   
**EDSTRÖM**

# FRAME AND AIRLINE TRACK FOR SLIDING PLATFORM



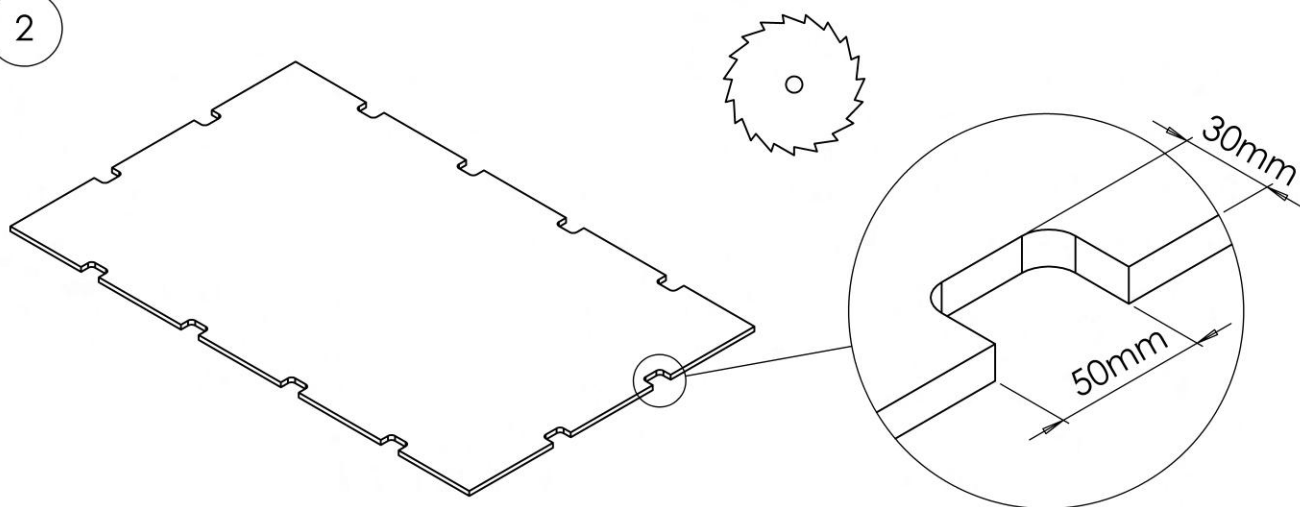
1



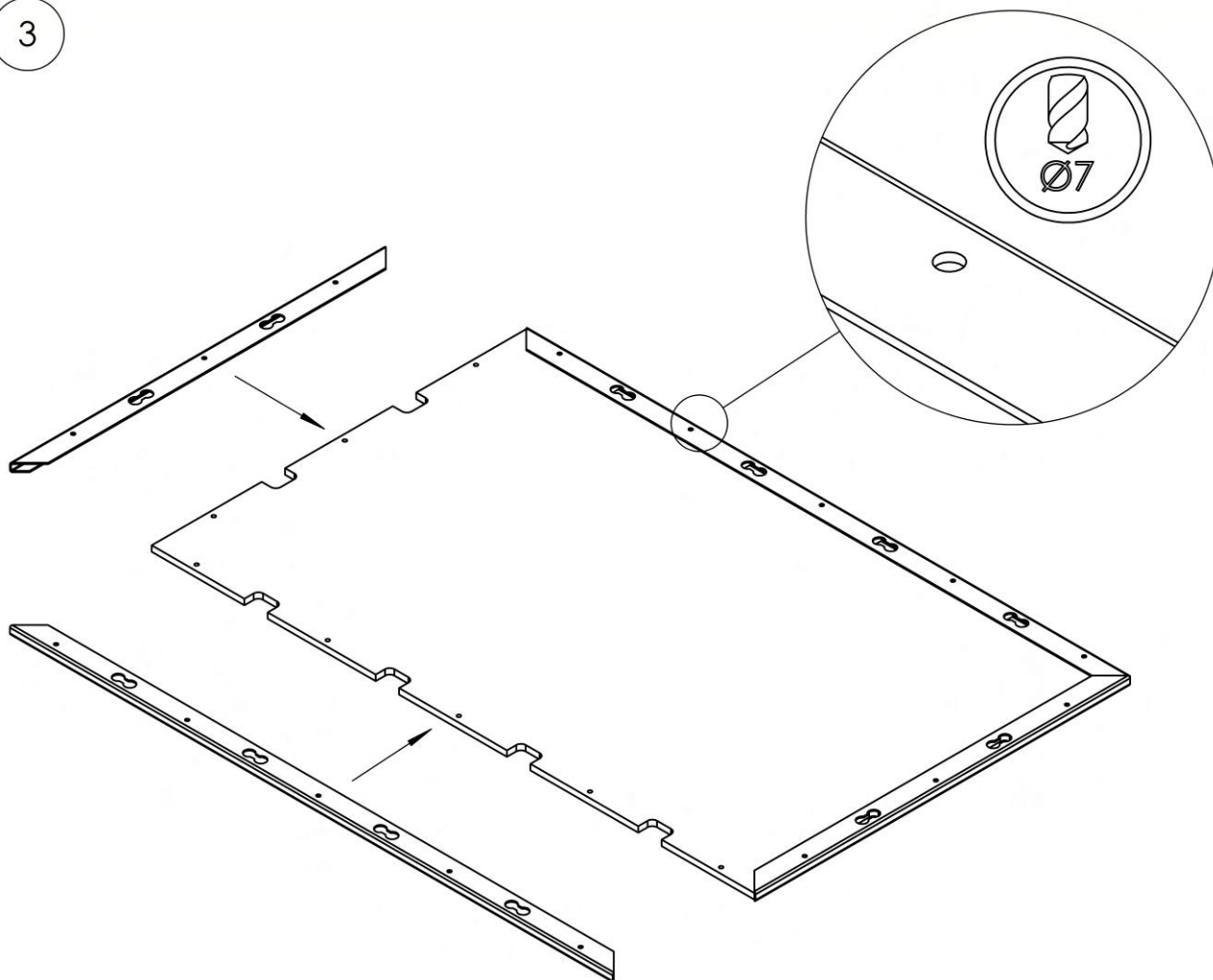
**SYSTEM**  
**EDSTRÖM**

## FRAME AND AIRLINE TRACK FOR SLIDING PLATFORM

2



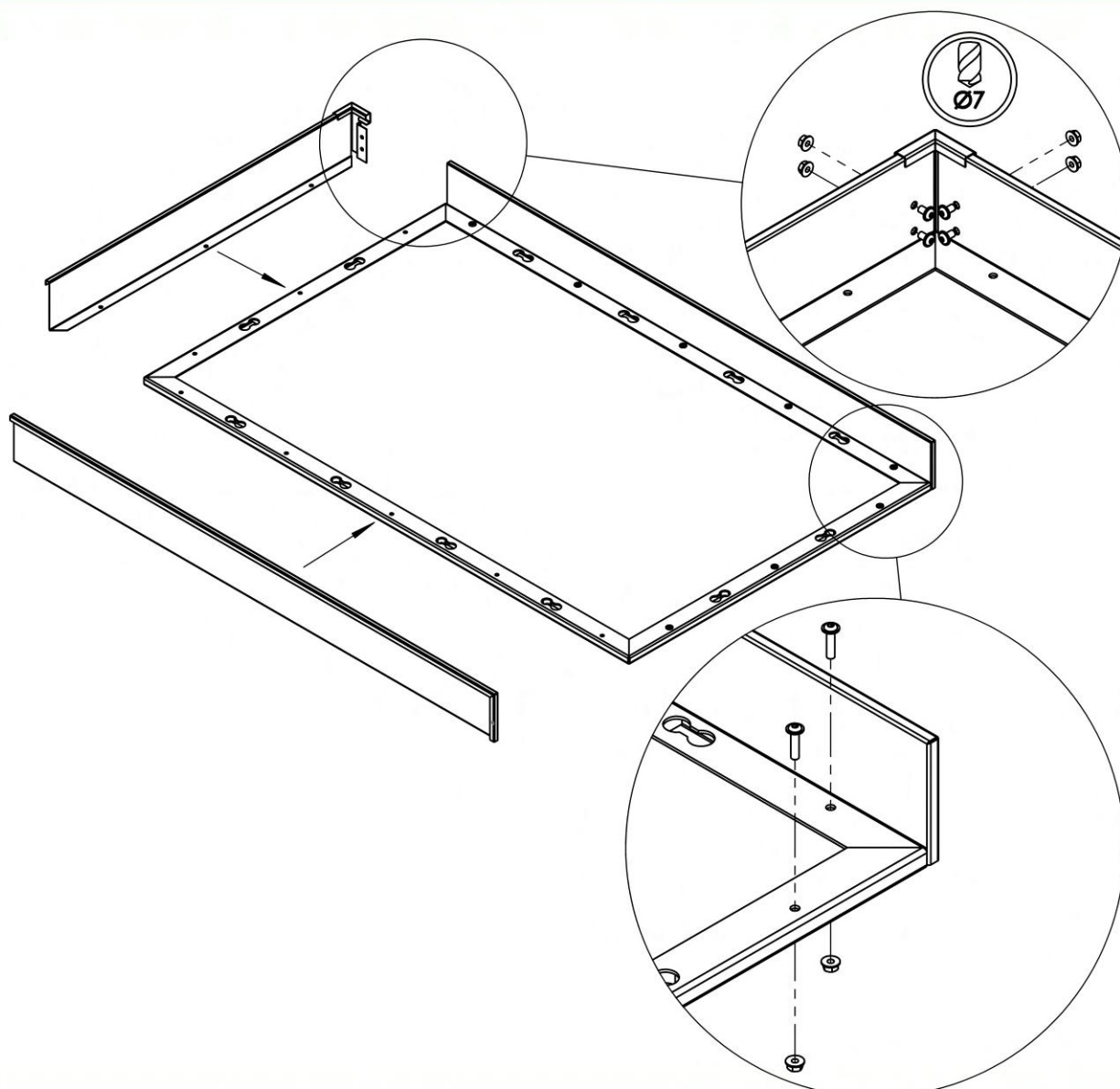
3



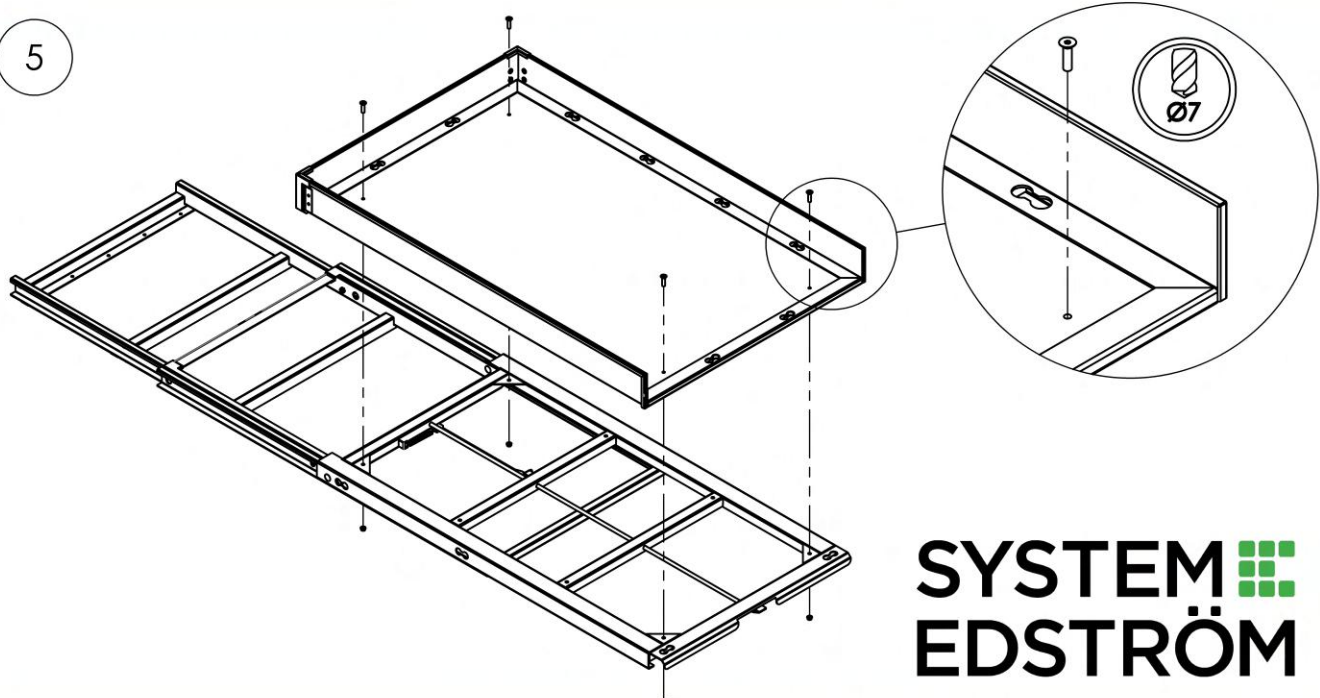
**SYSTEM**   
**EDSTRÖM**

# FRAME AND AIRLINE TRACK FOR SLIDING PLATFORM

4

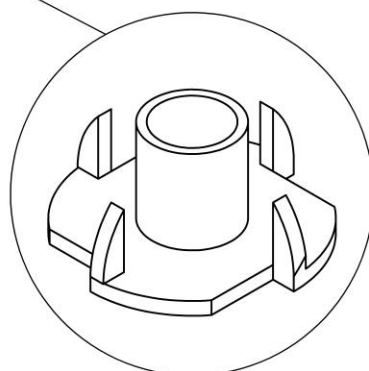
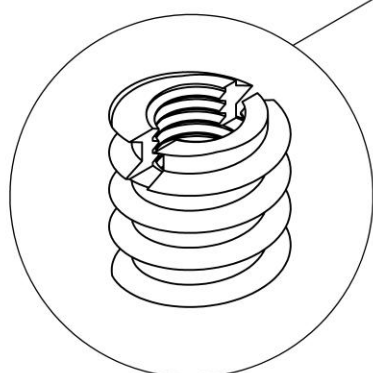
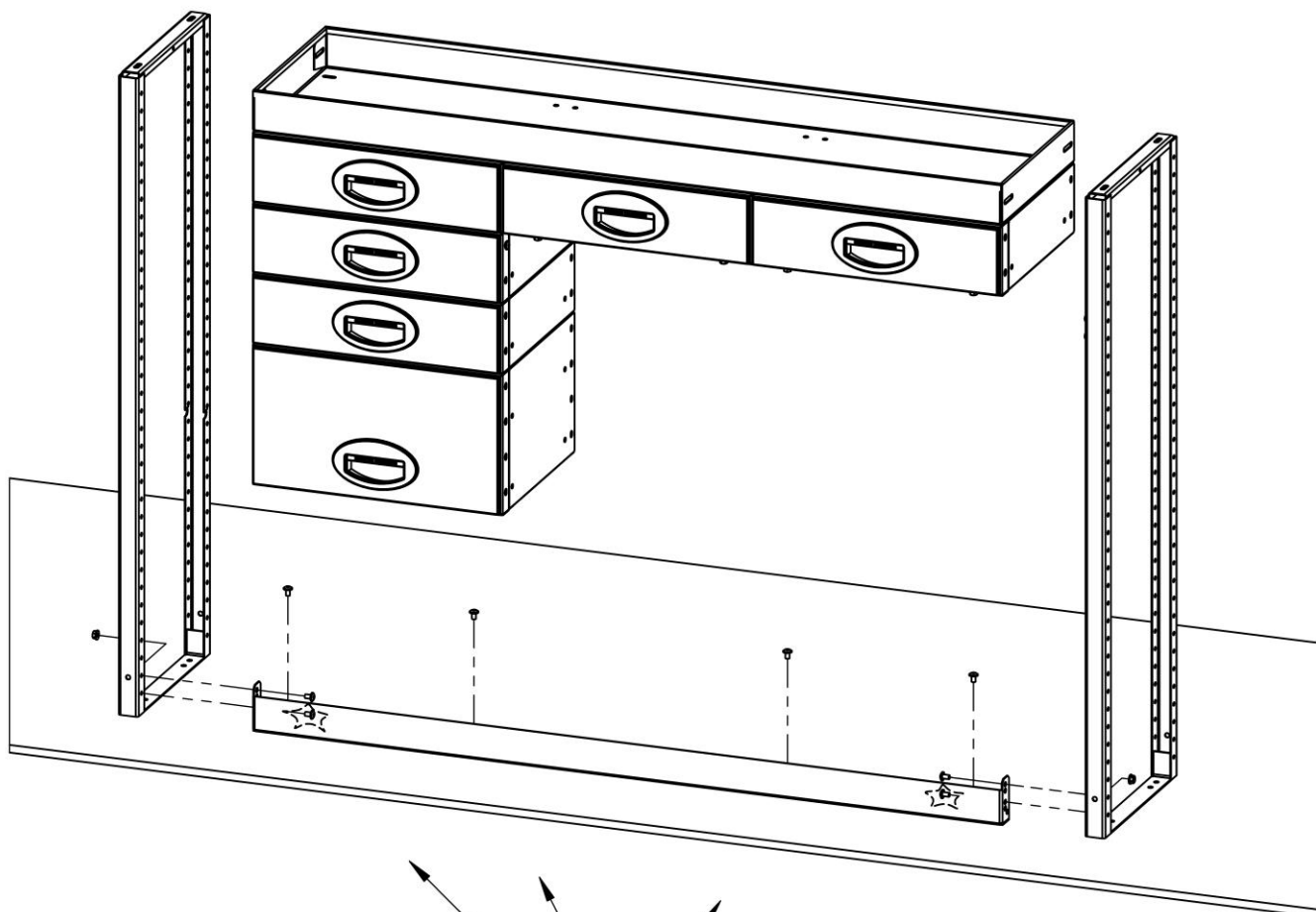


5



**SYSTEM**   
**EDSTRÖM**

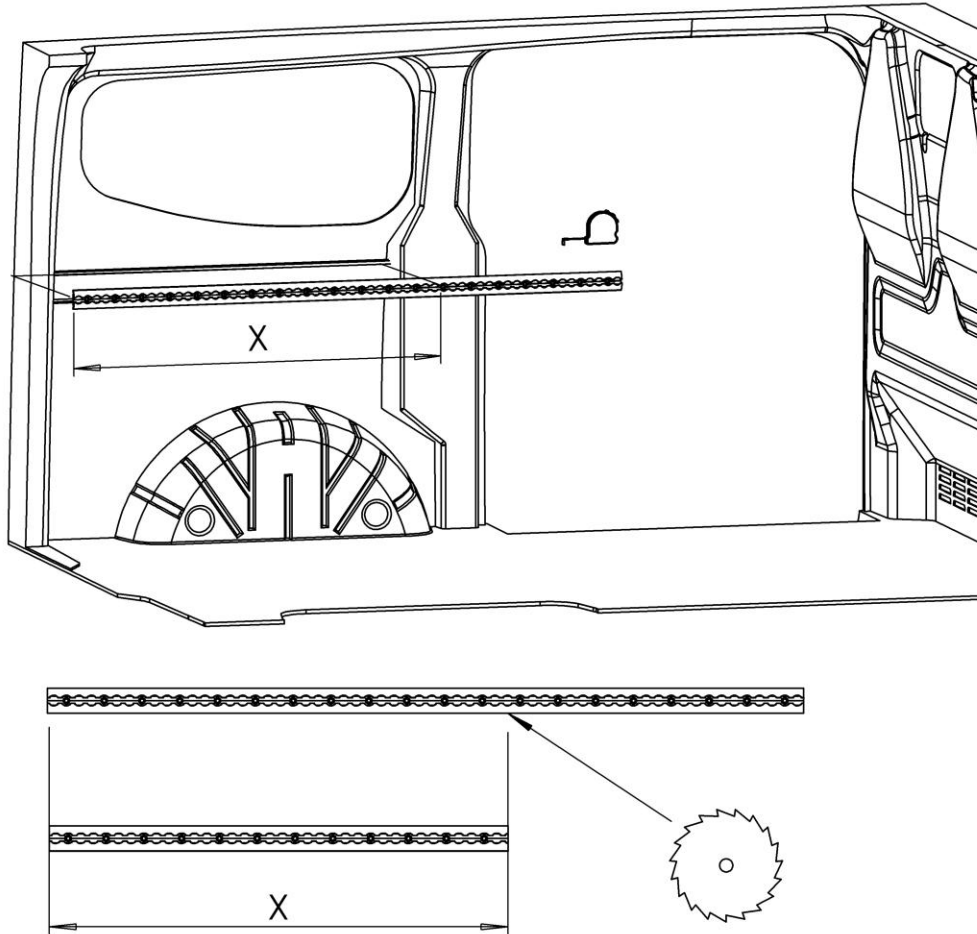
## SUPPORT RAIL ON FLOOR



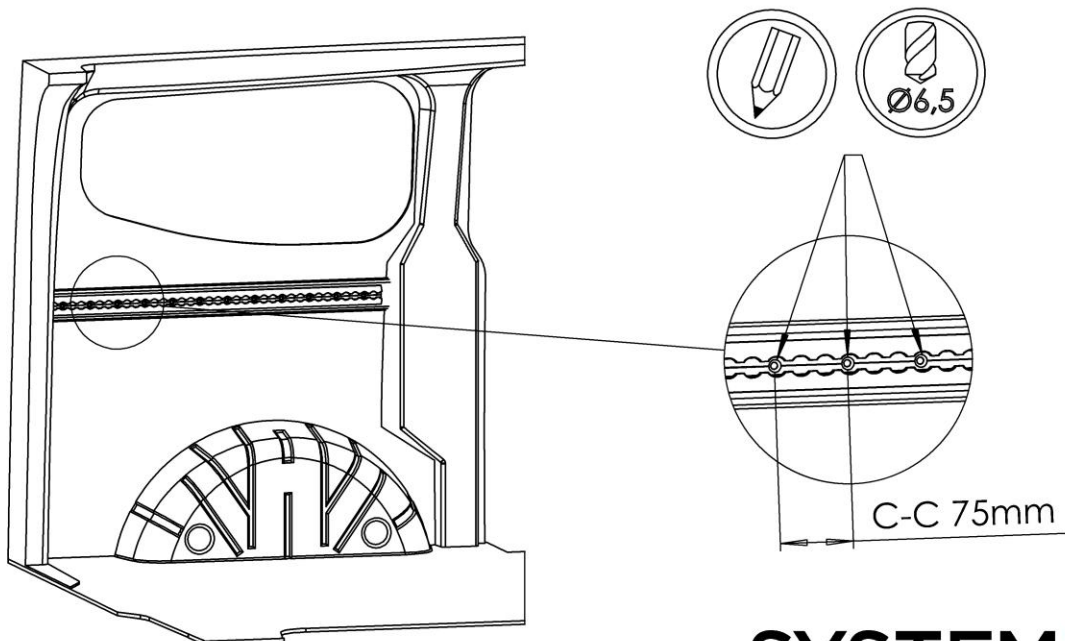
**SYSTEM**   
**EDSTRÖM**

# AIRLINE RAILS

1



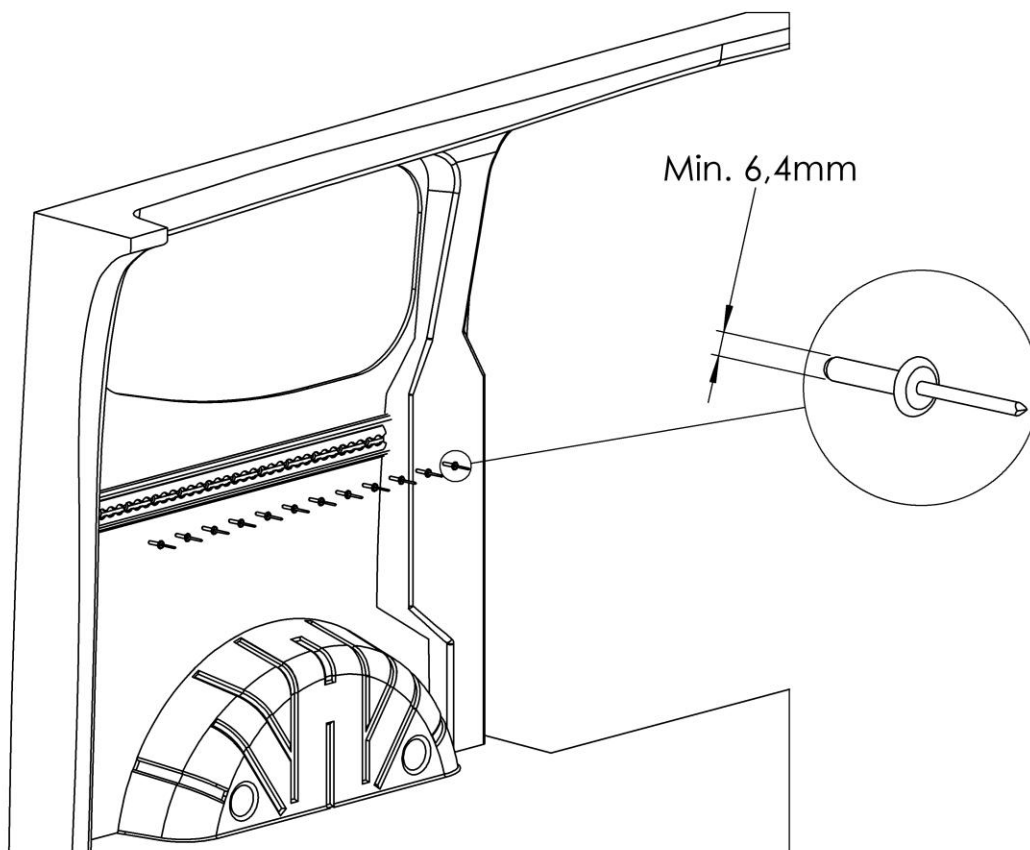
2



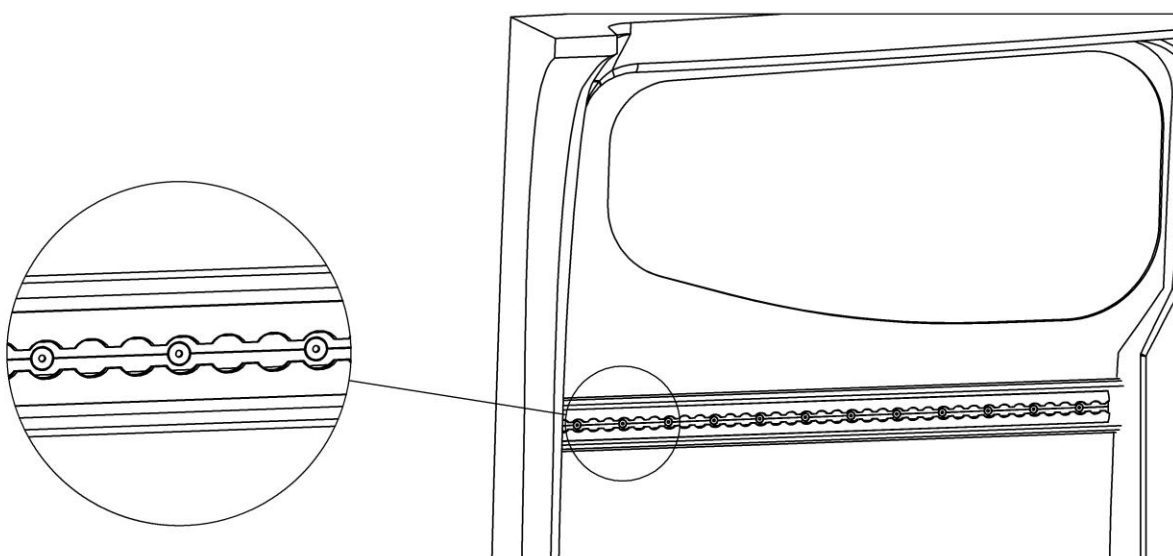
**SYSTEM**   
**EDSTRÖM**

## AIRLINE RAILS

3



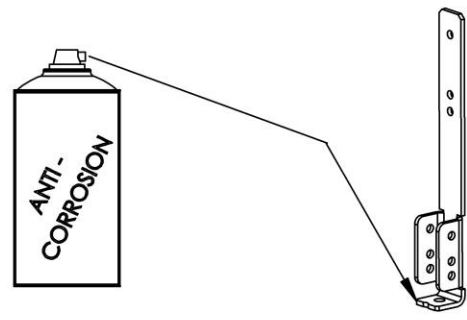
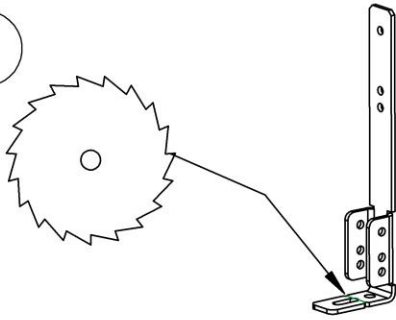
4



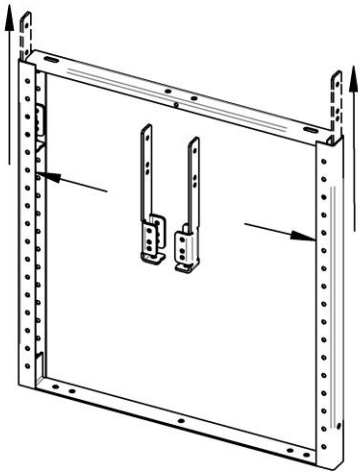
**SYSTEM**   
**EDSTRÖM**

# 2081 - MULTI PURPOSE BRACKET (Shelf Frame to Shelf Frame)

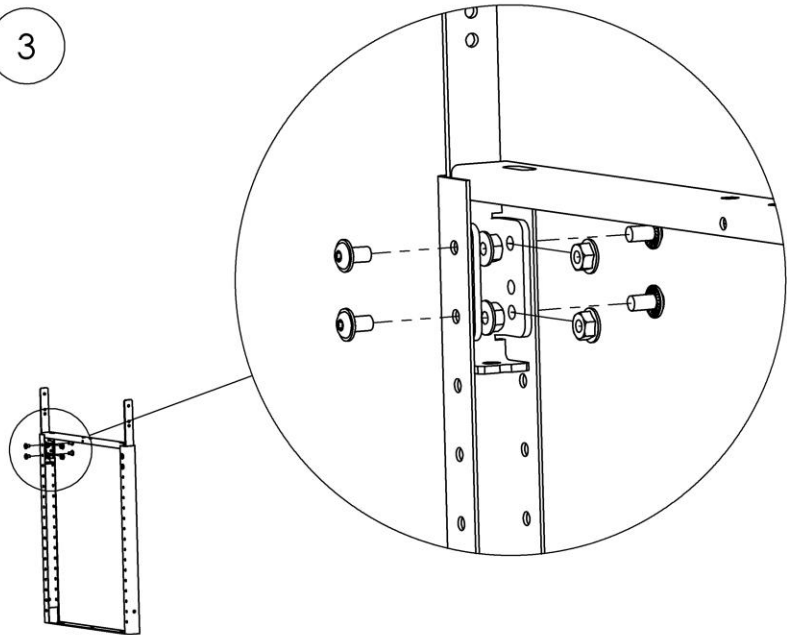
1



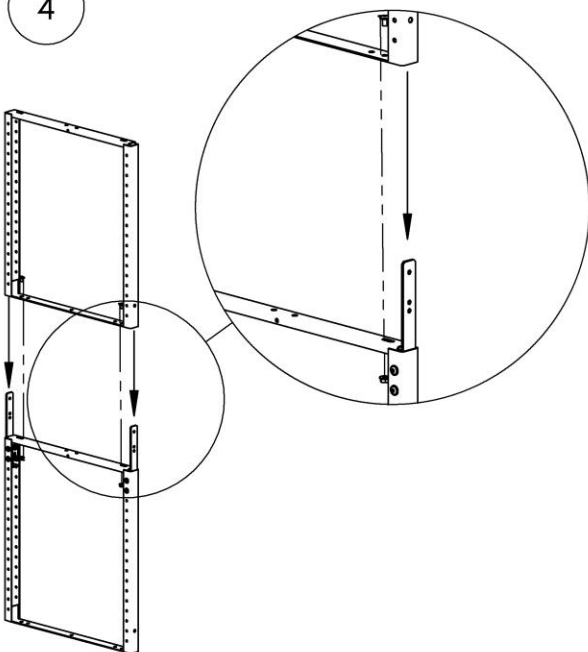
2



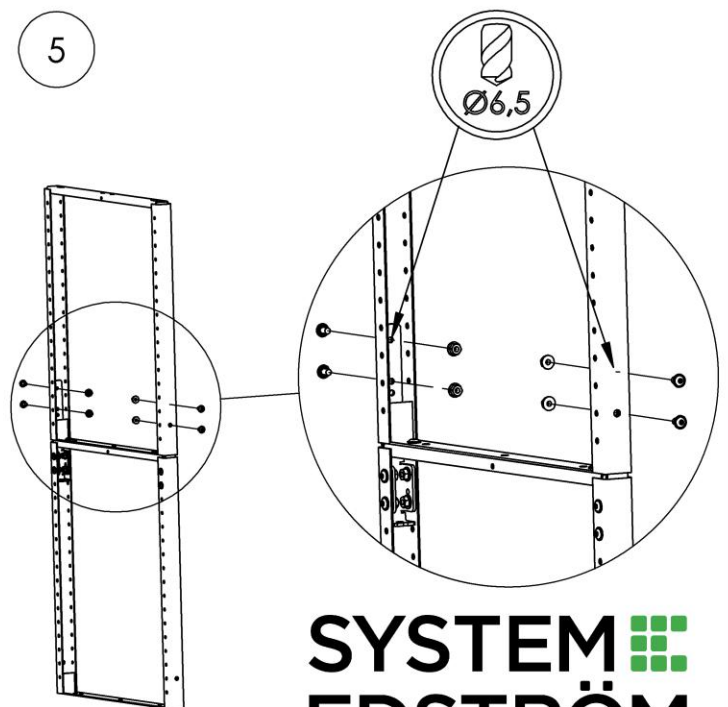
3



4



5

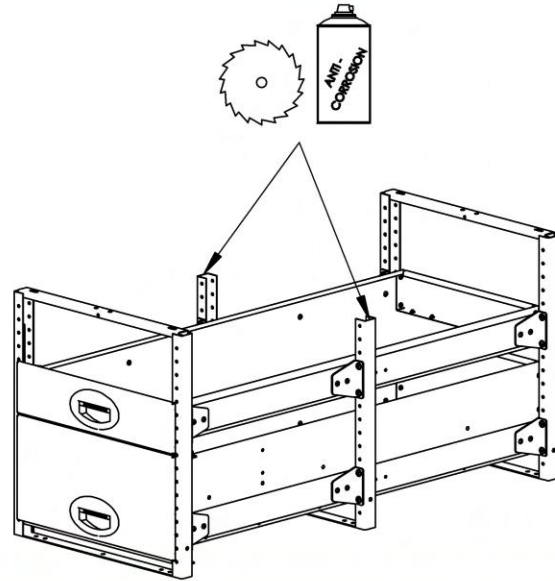


**SYSTEM**   
**EDSTRÖM**

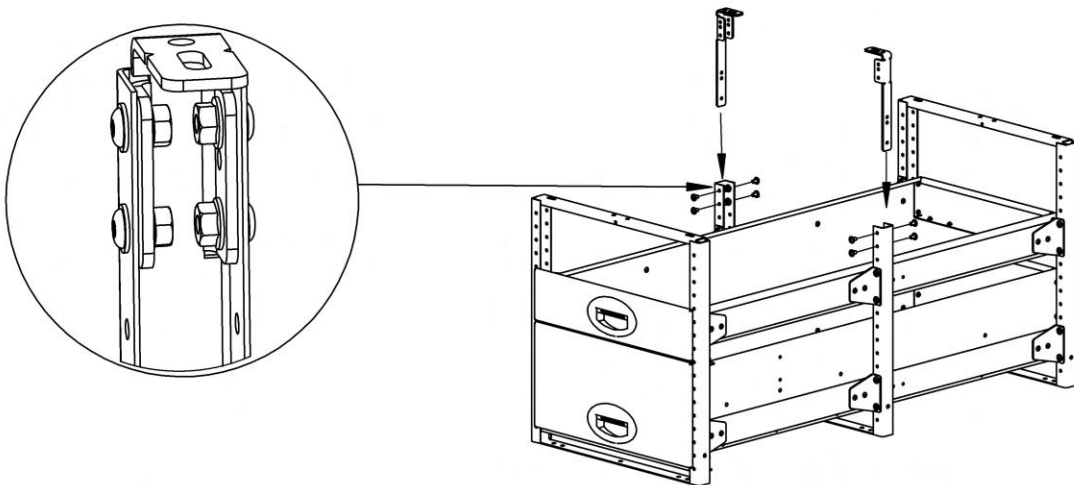


## 2081 - MULTI PURPOSE BRACKET (Cut Shelf Frame to Shelf)

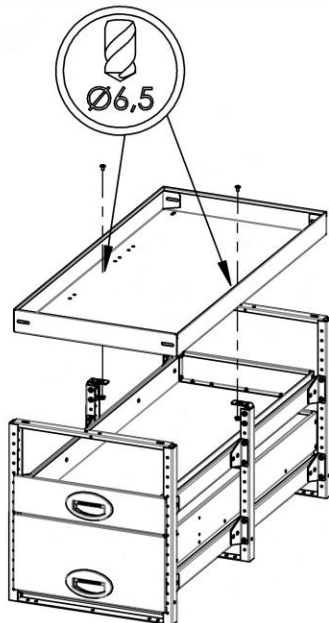
1



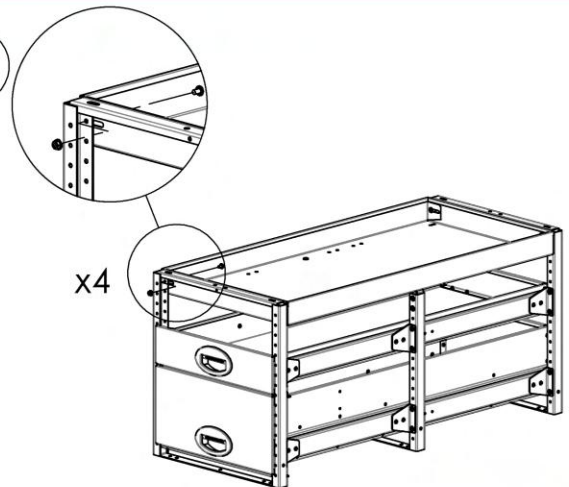
2



3



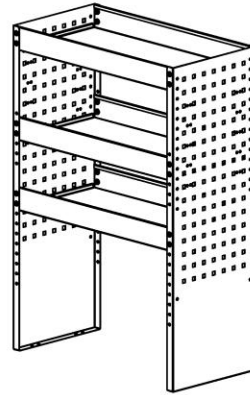
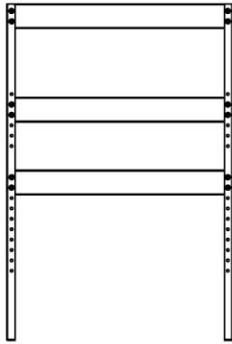
4



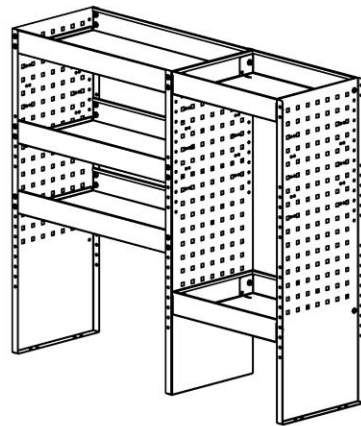
**SYSTEM**   
**EDSTRÖM**

# ECO

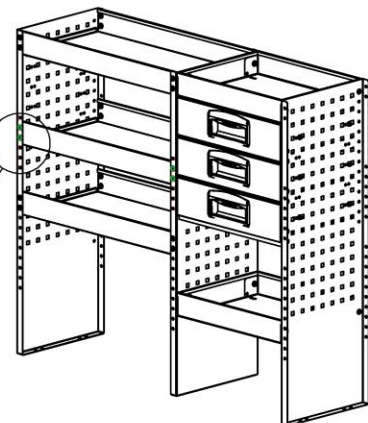
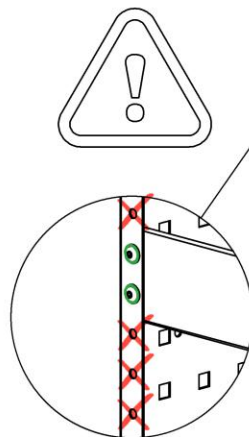
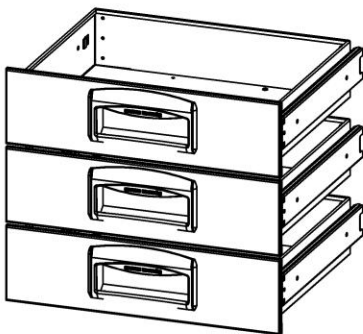
A



B



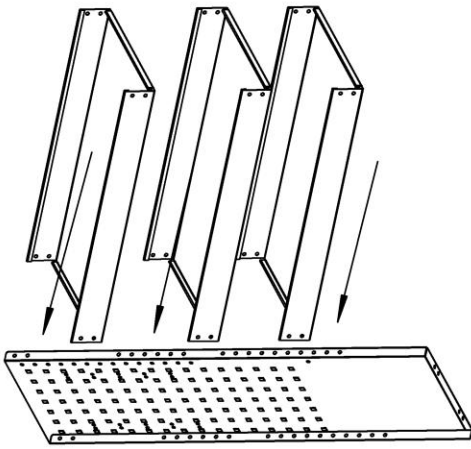
C



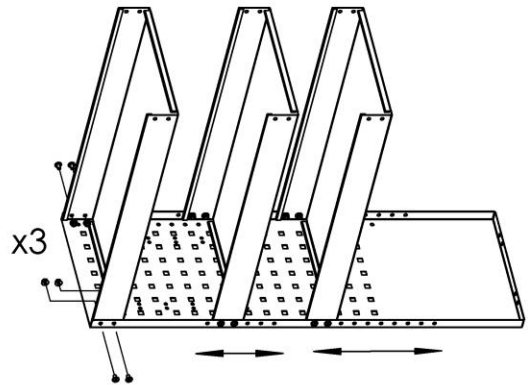
**SYSTEM**   
**EDSTRÖM**

# ECO

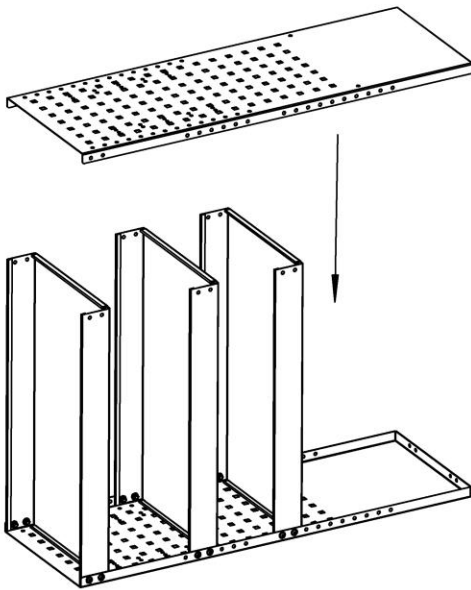
A1



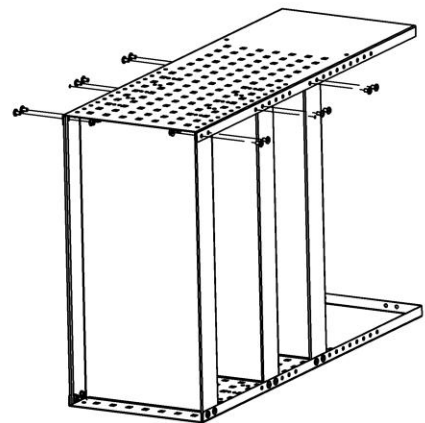
A2



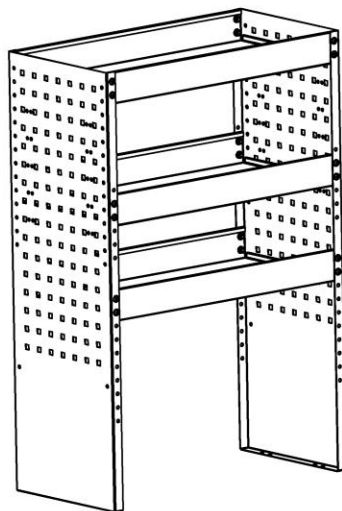
A3



A4



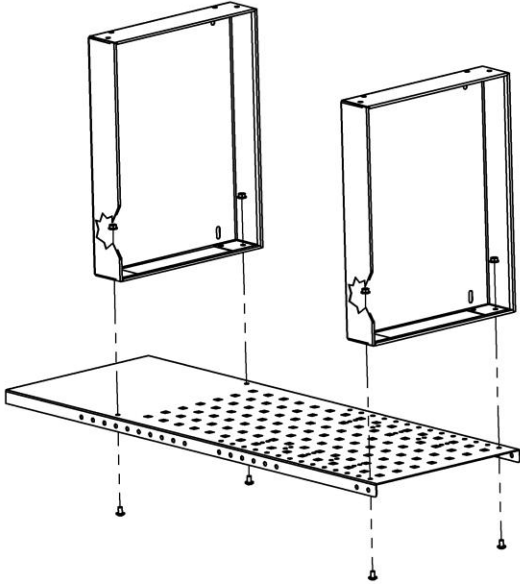
A5



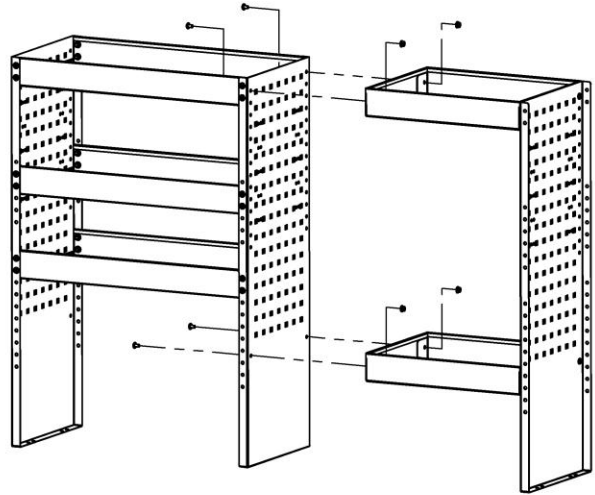
**SYSTEM**   
**EDSTRÖM**

# ECO

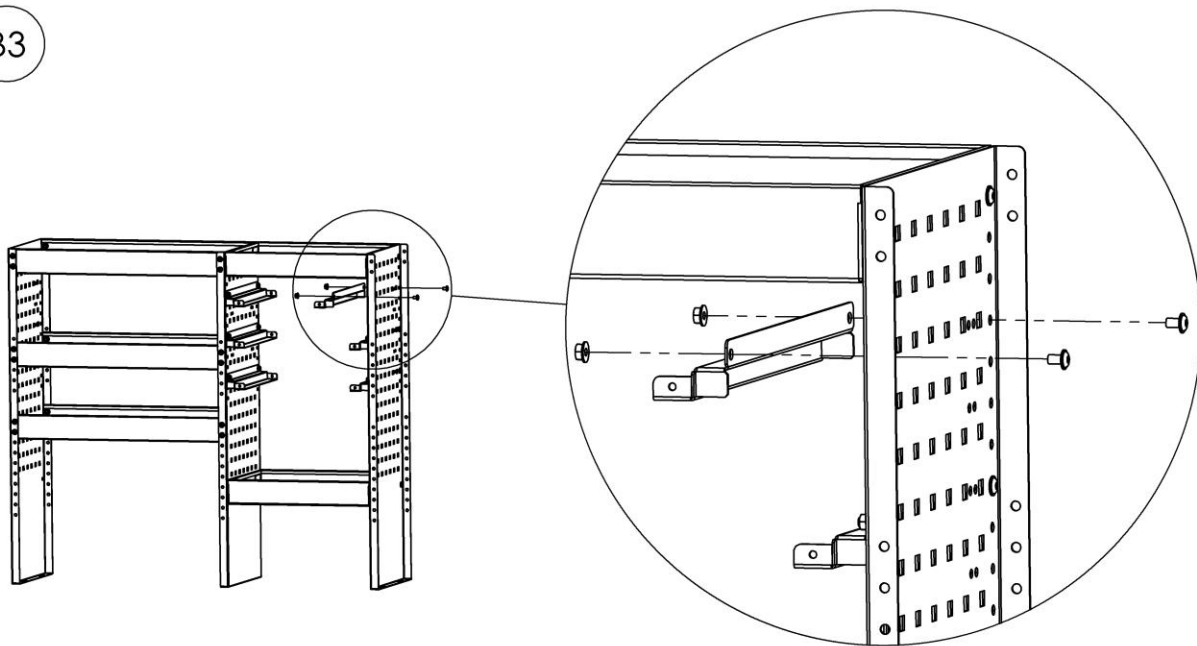
B1



B2



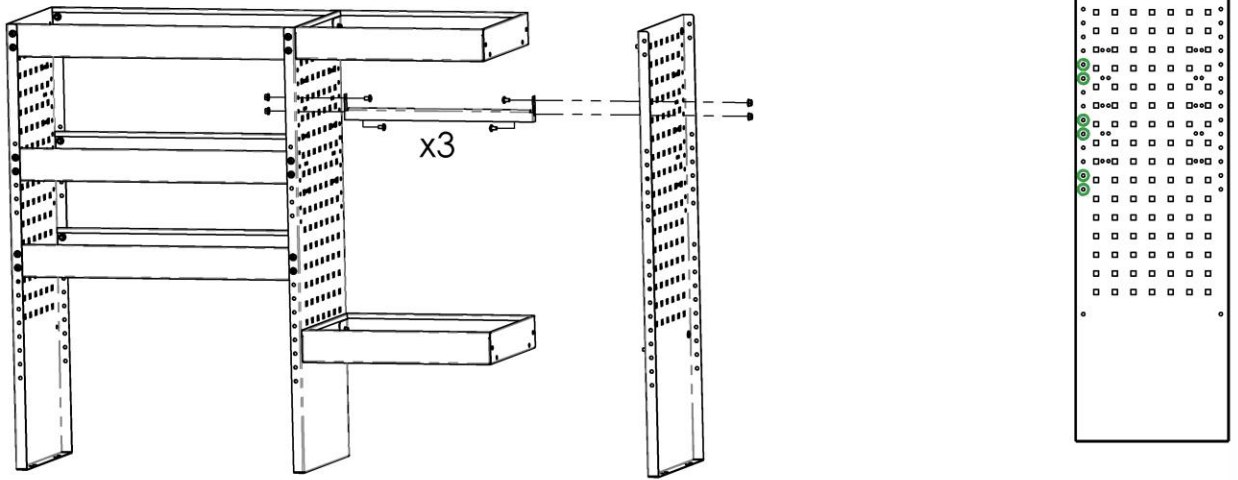
B3



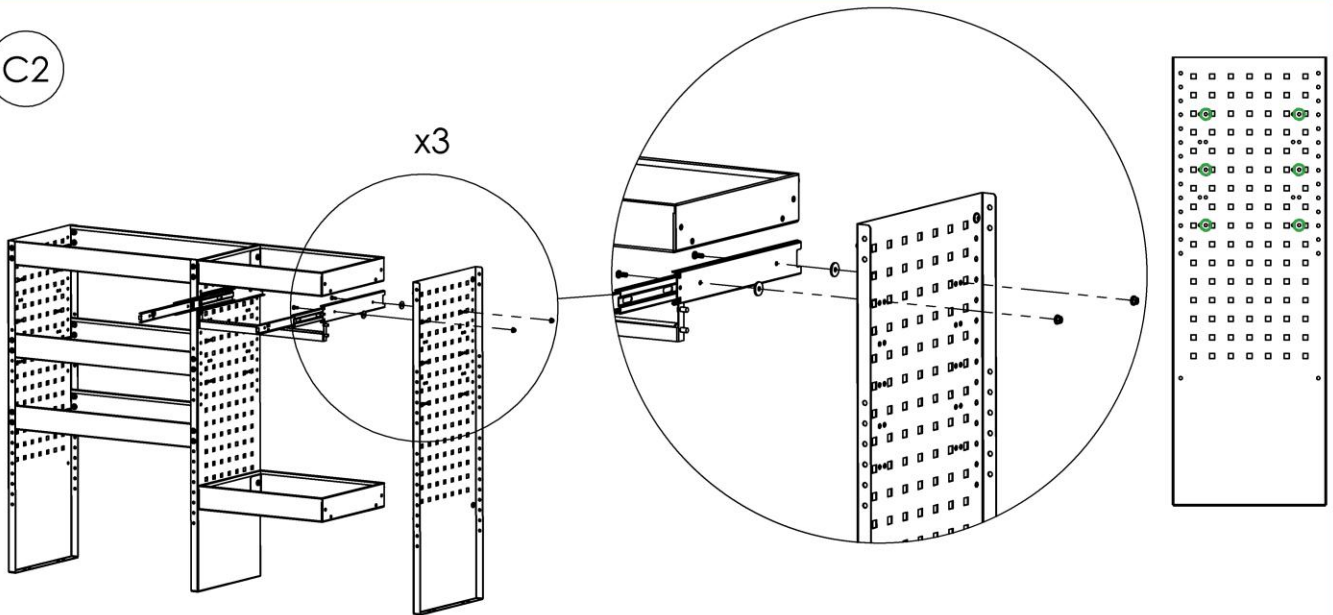
**SYSTEM**   
**EDSTRÖM**

# ECO

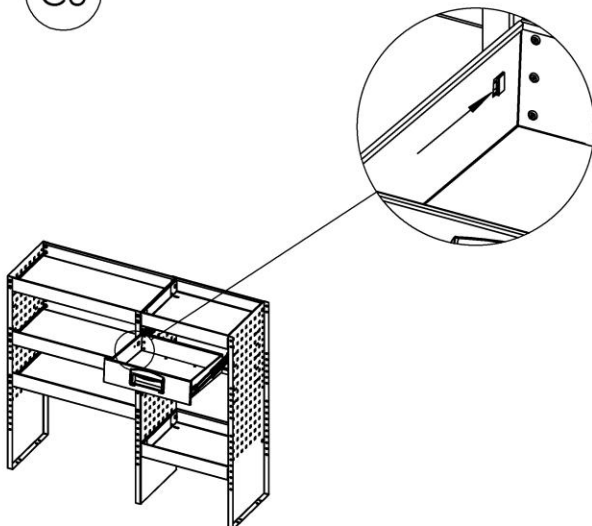
C1



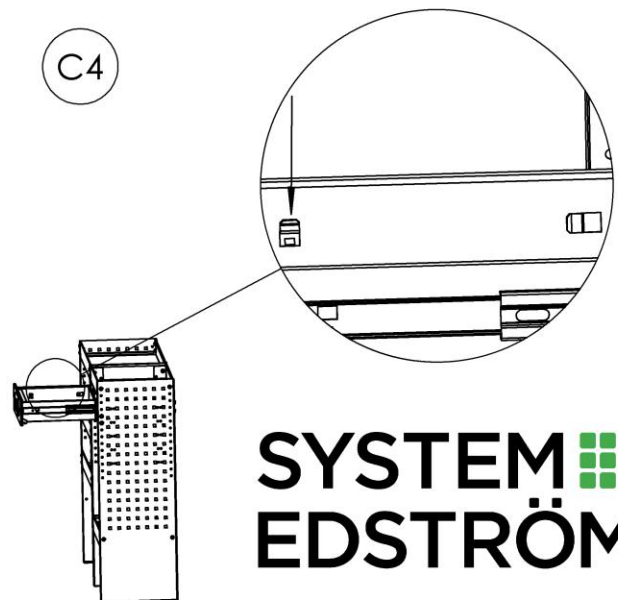
C2



C3



C4



**SYSTEM**   
**EDSTRÖM**

## Here is some useful advice on how to best load your van once your racking is correctly installed:

- It is worth emphasizing that heavy items should be placed low. Correct positioning of the load not only spares your back but also makes the van behave more stably and safely on the road.
- When transporting large and bulky goods on the van floor, use straps to secure the load.
- When filling your racking with tools and spare parts, remember to place them carefully. Careless placement can result in damage to tools, spare parts and racking.
- Use drawer inserts and plastic bins to prevent unnecessary movement of items and avoid unnecessary rattling and damage to tools.
- To us rubber mats on the shelves is an obvious choice. It decreases noise and movement of tools and spare parts.
- Remember that System Edström is just an instrument for good order and safety in the van. Ultimately, it is you who decides how effectively this instrument will work in your everyday life.

### Maximum weights:

<b>Cassettes</b>	60kg
<b>Shelves 300-1600mm length</b>	70kg
<b>Shelves 1601-2200mm length</b>	50kg
<b>Adjustable shelves</b>	30kg
<b>Extendable shelves</b>	40kg
<b>Dropfront shelves</b>	70kg
<b>Shelves in Flexisystem</b>	100kg
<b>Extended drawers</b>	100kg
<b>Sliding platform</b>	300kg
<b>Airline rails lashing rings</b>	100kg
<b>Nylon straps</b>	100kg
<b>Nylon straps with tensioners</b>	250kg
<b>Nylon strap with bracket</b>	100kg
<b>Elastic strap with bracket</b>	5kg
<b>Airline rails</b>	100kg
<b>Internal ladder holders</b>	15kg
<b>Plastic bin holders</b>	2,5kg

All weights refer to the maximum weight the product can handle separately.

### NOTE!

- Remember that the van has a maximum load that must not be exceeded.
- An object weighing 10kg will weigh about 250kg in a head-on collision at 50km/h.

# INFORMATION



## GENERAL INFO

All kits include what you see in the drawing, as well as installation parts, rubber mats for all shelves and foam for drawers.

System Edström Bilinredningar AB is certified SS-EN ISO 9001:2015, ensuring our commitment to managerial quality and high accuracy in our deliveries.

All materials used by System Edström are 100% recyclable. We are also certified to SS-EN ISO 14001:2015.



## REMEMBER

By choosing System Edström for your vehicle, you have taken the first and most important step to making your mobile workshop safe and functional. From here on, it is up to you how safe and functional your working place will be.

As the driver, you have full responsibility if you or anyone else is injured owing to poorly secured cargo. You are also responsible for ensuring that the racking is mounted in the safest way possible, whatever your choice of workshop, even when using professional, knowledgeable, and experienced installers.

DO NOT exceed the maximum payload of the vehicle.



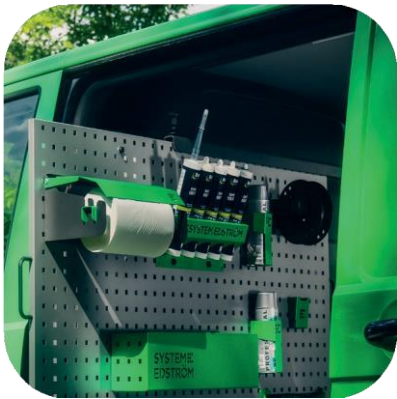
## SAFETY

We crash test our racking continuously at RISE Research Institute of Sweden AB. The crash tests are carried out according to the standard INRS NS 286 which applies to van racking.

Other types of tests are also carried out at test institutes, for example shake tests that simulate several years of use on the road. We also carry out our own tensile and pressure tests, to check, for example, the strength of load securing products.

Find out more about our company and products at [www.systemedstrom.com](http://www.systemedstrom.com).





Up to 5 years warranty



Crash tested



Made In Sweden

**SYSTEM**  
**EDSTRÖM**

**SYSTEM EDSTRÖM BILINREDNINGAR AB**  
Råseborgsgatan 11  
164 74 Kista  
Sweden

Order +46 (0)10 102 95 00  
Sales +46 (0)10 102 95 01  
Switchboard +46 (0)8 590 920 20  
E mail info@edstrom.se